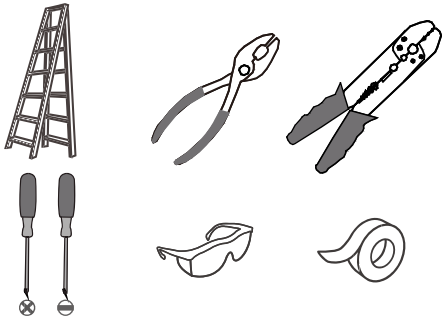
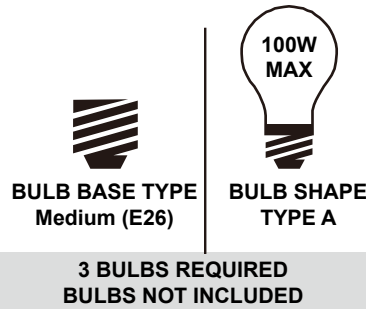


Tools Required



Light Source



Warnings and Cautions

Turn off the electricity at the circuit breaker before installation. Consult a licensed electrician if in doubt about installation.

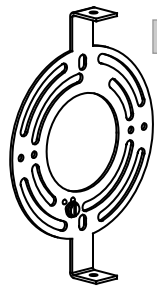
Turn off power to the fixture and allow the bulbs to cool before replacing.

Package Contents

Preparation: Identify and inspect all parts before beginning the installation.

Missing or damaged parts? Contact your original place of purchase.

PARTS BAG



A Crossbar
x 1



B Mounting Screw
x 2



C Outlet Box Screw
x 2



D Wire Connector
x 3

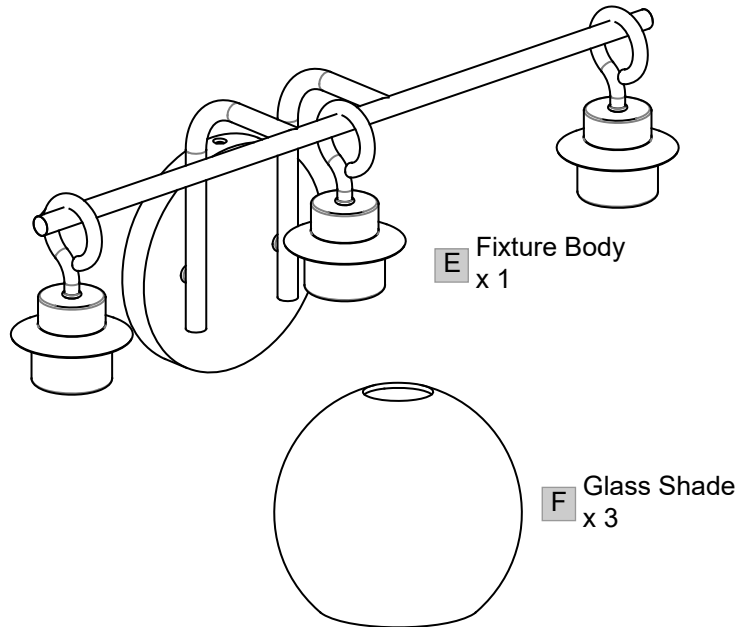
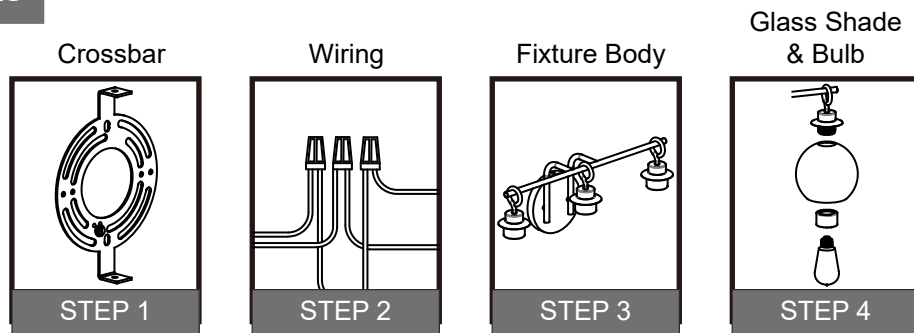
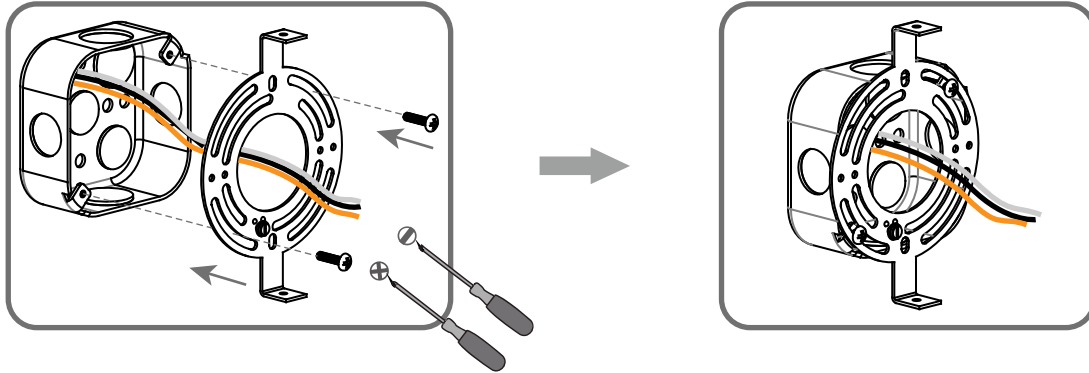


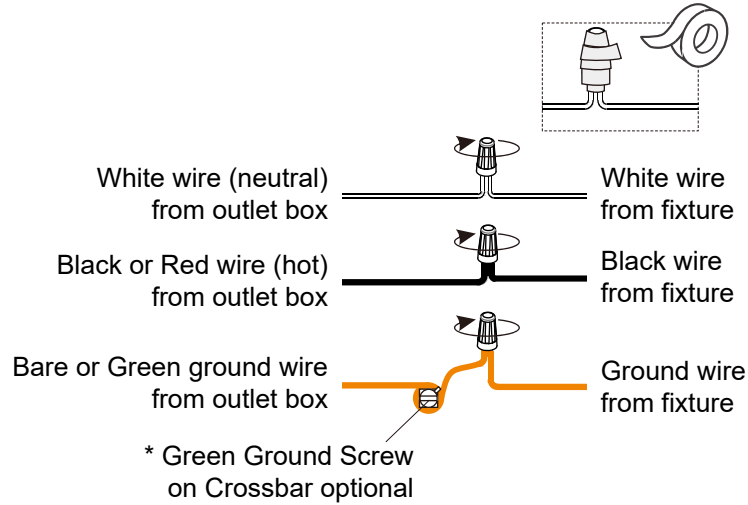
Table of Contents



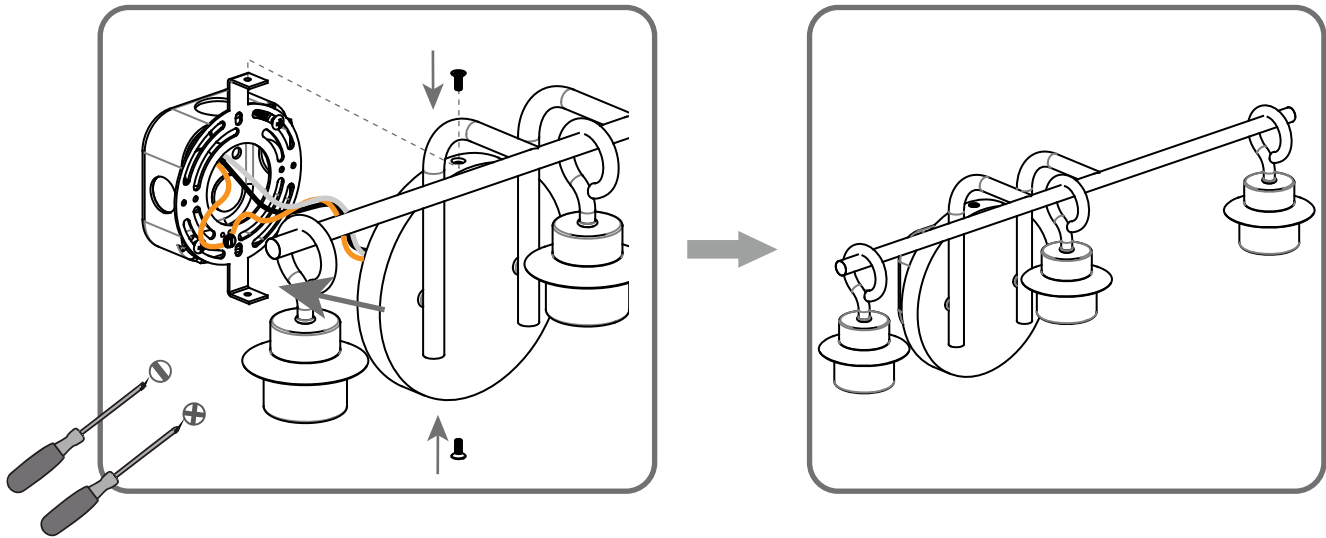
STEP 1



STEP 2



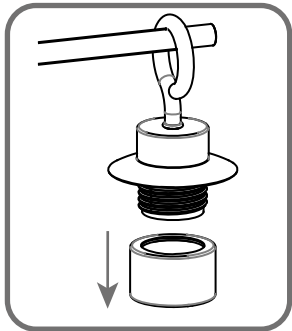
STEP 3



STEP 4

1

remove socket collar



2

install glass shade and bulb

