

Please go to [www.quezel.com](http://www.quezel.com) for product cleaning tips. Go to the **Care + Maintenance** selection.

**Tools Required:** Flathead screwdriver, Phillips screwdriver, pliers, wire cutters, wire strippers, electrical tape, safety glasses.

**Light Source:** (1) A19 Medium Base Bulb 100W Maximum, Medium Base Vintage Bulb is recommended, bulb not included.

**Estimated Assembly Time:** 20-30 minutes

**Preparation:** Identify and inspect all parts before beginning installation. Check package content list and diagrams below to ensure all parts are present. If any parts are missing or damaged, do not attempt to assemble, install, or operate the fixture. Contact your original place of purchase.

**Fixture can only be mounted in the direction indicated on page 2.**

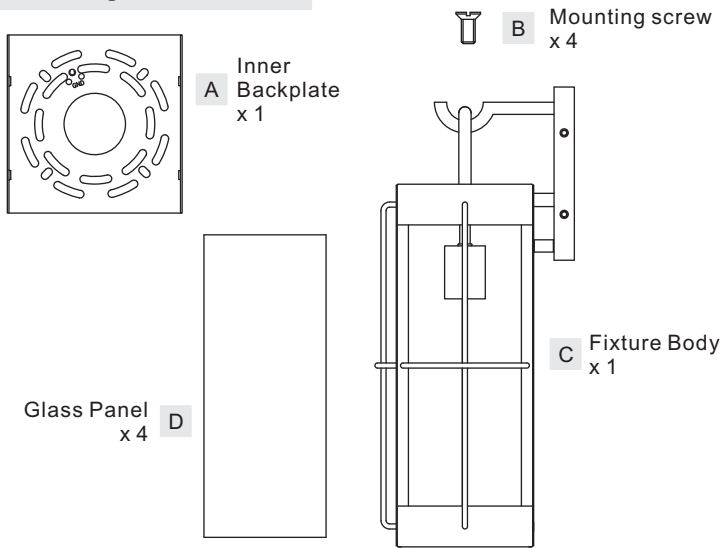
### ⚠ Warnings and Cautions

Turn off electricity at circuit breaker or main fuse box before installation. Consult a licensed electrician if in doubt.

These instructions are provided for your safety. It is very important you read them completely before installing the fixture. We strongly recommend that a licensed, professional electrician perform the installation.

Disconnect fixture from power source before replacing bulbs. Make sure bulbs are given sufficient time to cool before removal.

### Package Contents



### STEP 2 - Install the Inner Backplate to the outlet box

A. Place the supply wires and ground wire through the Inner Backplate (A). Attach the Inner Backplate (A) to the outlet box with the head of the green ground screw facing you. Secure it with outlet box screws (not included). Tighten until snug with screwdrivers.

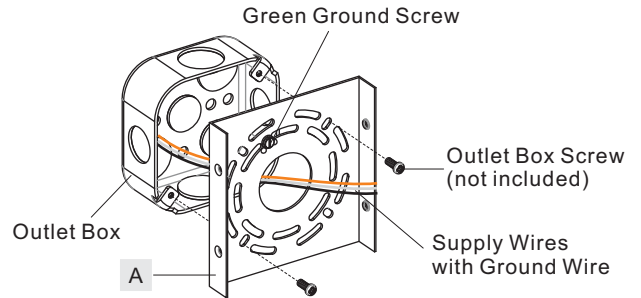


Figure 2

### STEP 1 - Install Glass Panels

A. Insert the top edge of the Glass Panel (D) into the slot in the Fixture Body (C) and fold tabs in the bottom edge of the Fixture Body (C) onto the bottom edge of the Glass Panel (D) to secure the Glass Panel (D).

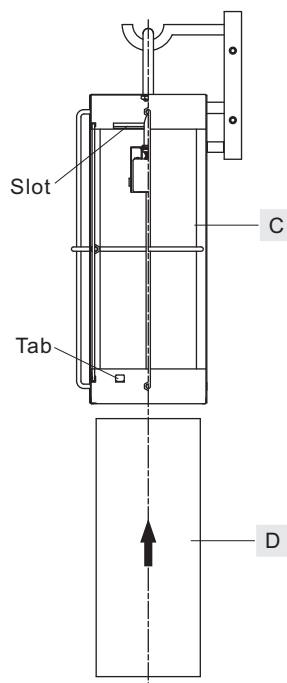


Figure 1

### STEP 3 - Wire Connections

A. Wrap bare or green ground wire around green ground screw on the crossbar, no less than 2 inches from the end of the wire. Tighten the green ground screw.

B. Use standard wire connectors (not included) to make all wire connections. Twist connectors until wires are tightly joined together. Wrap each connection with approved electrical tape and carefully stuff all the connected wires into the Outlet Box.

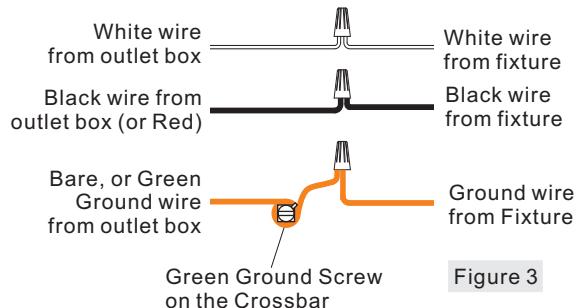


Figure 3

**STEP 4 - Install the Fixture Body**

A. Place the backplate of the Fixture Body (C) onto the Inner Backplate (A) and secure with Mounting Screws (B). Tighten until snug with screwdrivers.

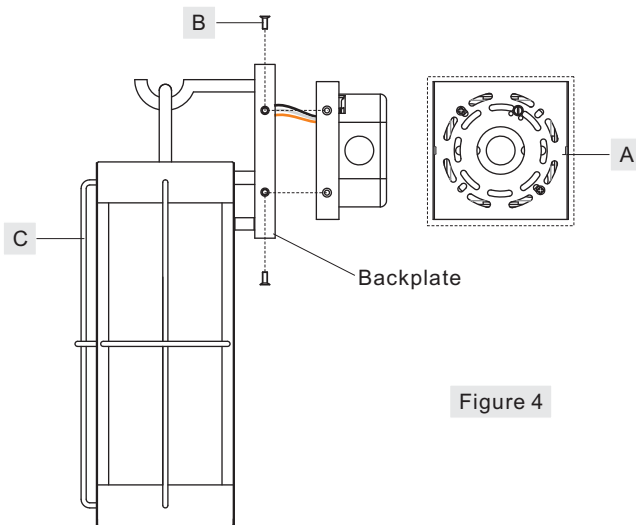


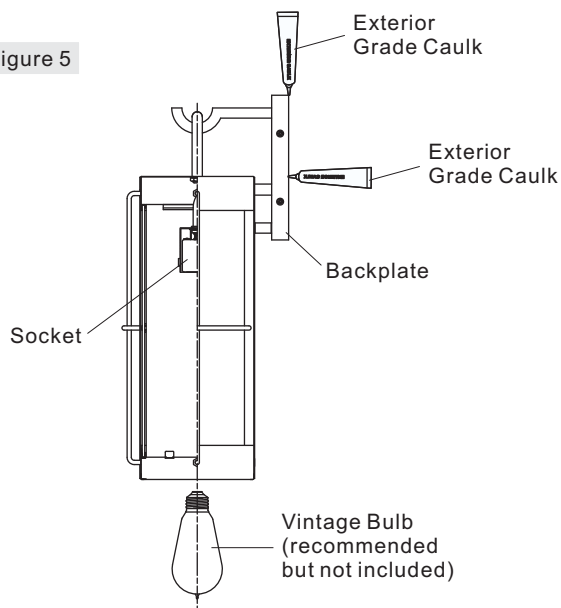
Figure 4

**STEP 5 - Install Bulb and Apply Silicone Sealer**

A. Install the bulb onto the socket and screw snugly into place.  
 B. Make sure the exterior wall surface and fixture backplate are free of dirt before applying caulk. Using exterior grade caulk, caulk over top of backplate and down both sides. Do not caulk the bottom of the fixture backplate to ensure proper moisture drainage.

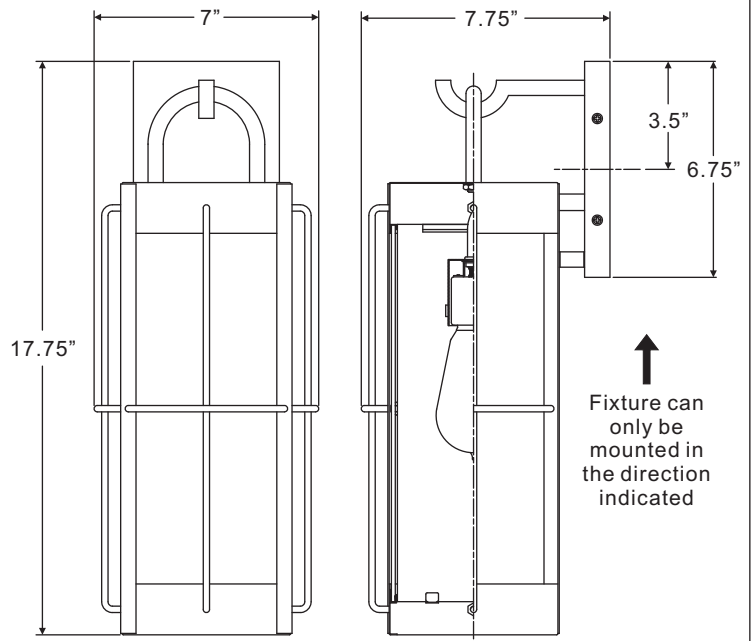
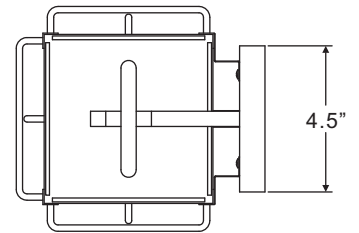
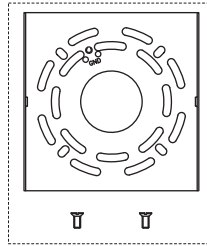
Your fixture is now assembled and ready to use. Enjoy!

Figure 5



WAR8407GZ

FINISH: GILDED BRONZE



NOTE: ALL DIMENSIONS ARE ROUNDED UP TO THE NEAREST 1/4"