

Please go to www. quozel. com for product cleaning tips. Go to the **Care + Maintenance** selection.

Tools Required: Flathead screwdriver, Phillips screwdriver, pliers, wire cutters, wire strippers, electrical tape, safety glasses.

Light Source: (1) Medium Base Decorative Filament 60W bulb (provided), Maximum 100W, Alternate bulb (1) 23W CFL Maximum.

Estimated Assembly Time: 20-30 minutes

Preparation: Identify and inspect all parts before beginning installation. Check package content list and diagrams below to be sure all parts are present. If any parts are missing or damaged, do not attempt to assemble, install, or operate the fixture. Contact customer service for replacement parts.



Warnings and Cautions

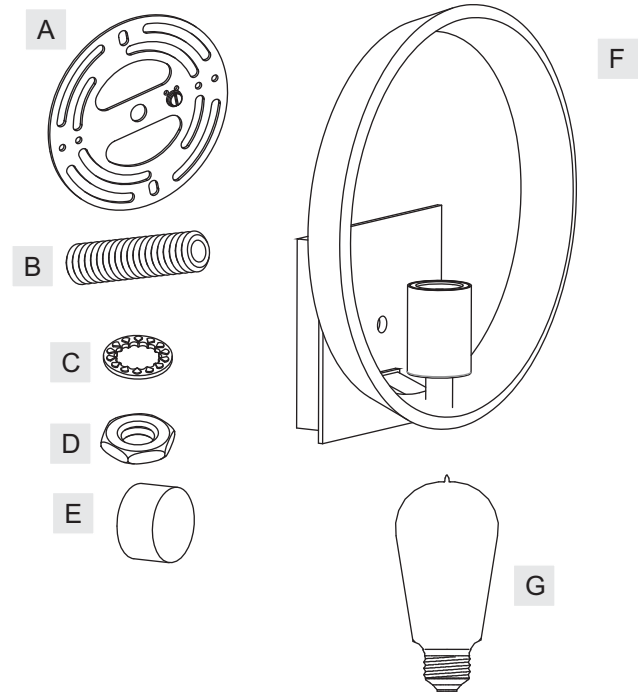
Turn off electricity at circuit breaker or main fuse box before installation. Consult a licensed electrician if in doubt.

These instructions are provided for your safety. It is very important you read them completely before installing the fixture. We strongly recommend that a licensed, professional electrician perform the installation.

Disconnect fixture from power source before replacing bulbs. Make sure bulbs are given sufficient time to cool before removal. Do not subject glass parts to any shock while in operation or shattering may result.

Package Contents

Part	Description	Quantity
A	Crossbar	1 pc.
B	Nipple	1 pc.
C	Lock Washer	1 pc.
D	Hex Nut	1 pc.
E	Mounting Ball	1 pc.
F	Fixture Body	1 pc.
G	Edson Bulb	1 pc.

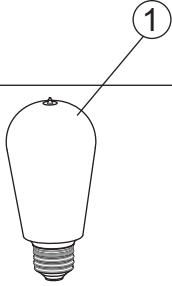
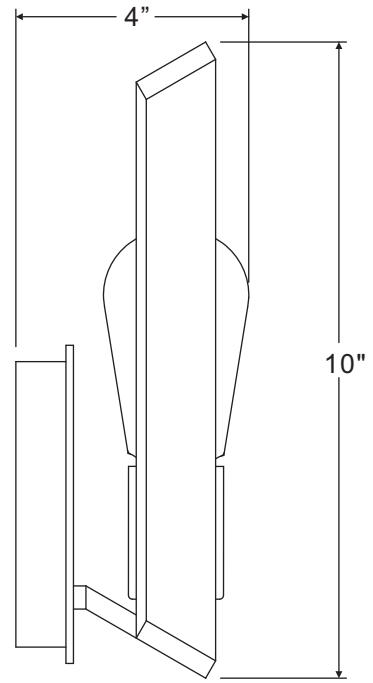
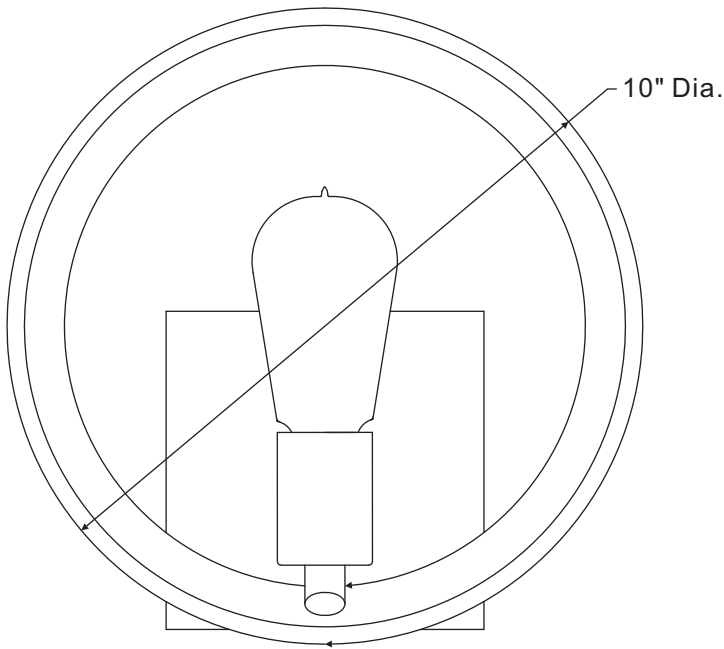
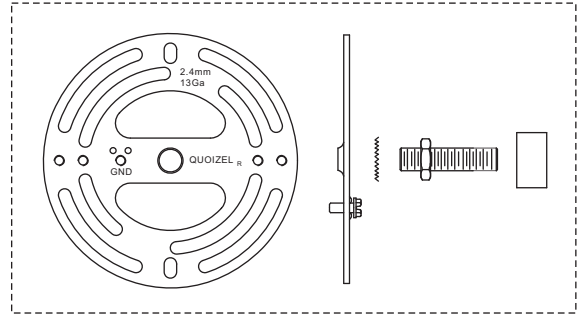


Thank you for purchasing a Quoizel product.

**Need assistance with parts or assembly? Call Quoizel customer service at 1-631-273-2700
 or visit us on-line at www. quozel. com**

UPTR8701IS

FINISH: IMPERIAL SILVER



(1) Medium Base
Decorative
Filament 60W
bulb (provided),
Maximum 100W.

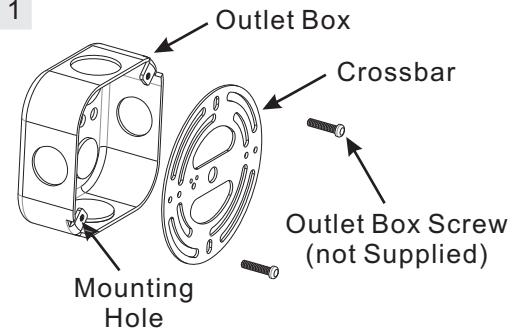
NOTE: ALL DIMENSIONS ARE ROUNDED UP TO THE NEAREST 1/4"

NO.	PART NUMBER	REPLACEMENT PART DESCRIPTION	QTY.
1	I1101EC	REPLACE PRODUCT 1910 INCANDESCENT BULB	1

STEP 1 – Attach Crossbar to Outlet Box

- A. Secure the Crossbar (A) to the outlet box with outlet box screws (not supplied). Tighten until snug.

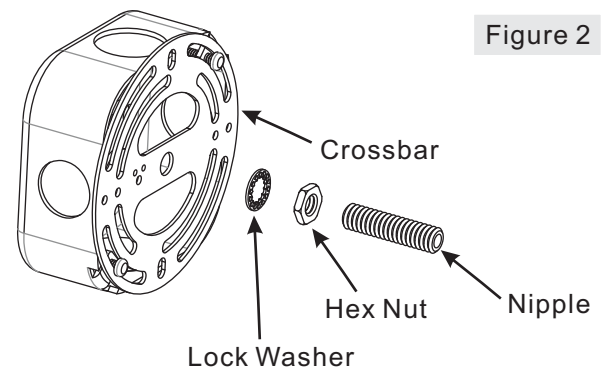
Figure 1



STEP 2 – Attach Nipple to Crossbar

- A. Thread one Hex Nut (D) onto the top end of the Nipple (B).
B. Place one Lock Washer (C) over the top end of the Nipple (B) and then thread the Nipple (B) into the center lock hole of the Crossbar (A).
C. Using pliers, thread the Hex Nut (D) against the Crossbar (A) and hand tighten until snug.

Figure 2



Thank you for purchasing a Quozel product.
Need assistance with parts or assembly? Call Quozel customer service at 1-631-273-2700
or visit us on-line at www. quozel. com

STEP 3 – Make Wire Connections

- A. Use standard wire connectors to make all wire connections. (Connectors are not included with fixture.) Strip and prepare wire ends according to instructions supplied with connectors.
- B. Connect White Supply Wire from the Outlet Box to White Wire from fixture.
- C. Connect Black (or Red) Supply Wire from the Outlet Box to Black Wire from fixture.
- D. Connect Ground Wire from the Outlet Box to Ground Wire from fixture.
- E. Twist connectors until wires are tightly joined together.
- F. Wrap each connection with approved electrical tape and carefully stuff all the connected wires into the Outlet Box.

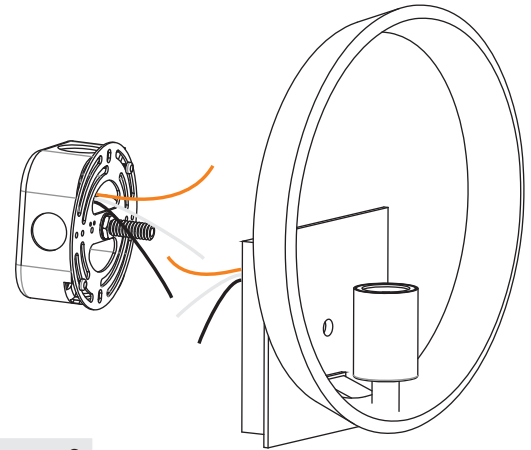


Figure 3

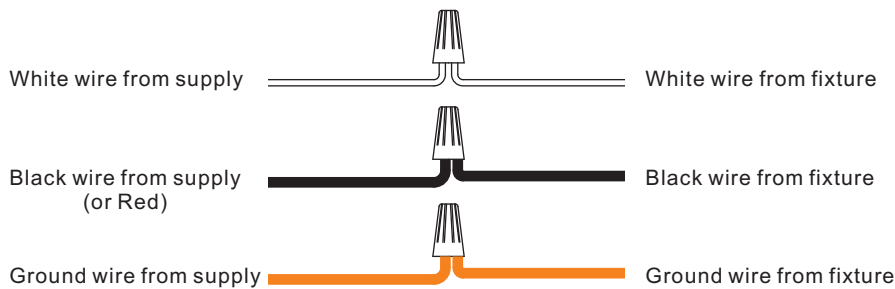


Figure 4

STEP 4 – Attach Fixture Body to Nipple

- A. Place the Backplate of the Fixture Body (F) over the Nipple (B) and secure with the Mounting Ball (E). Hand tighten until snug.

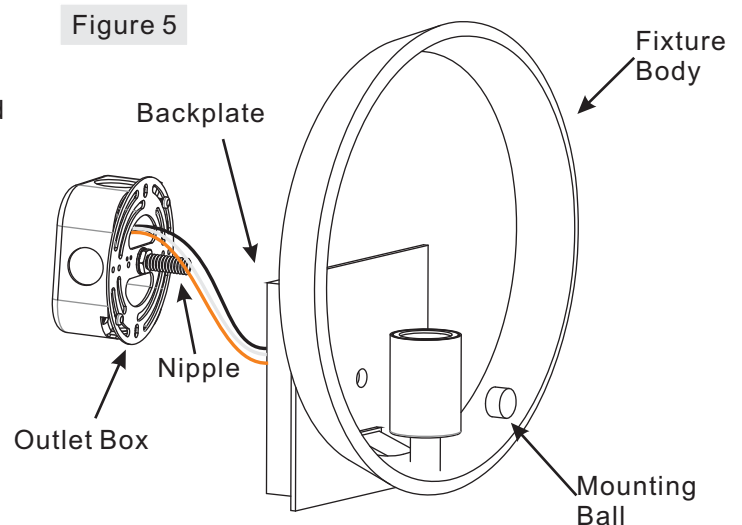


Figure 5

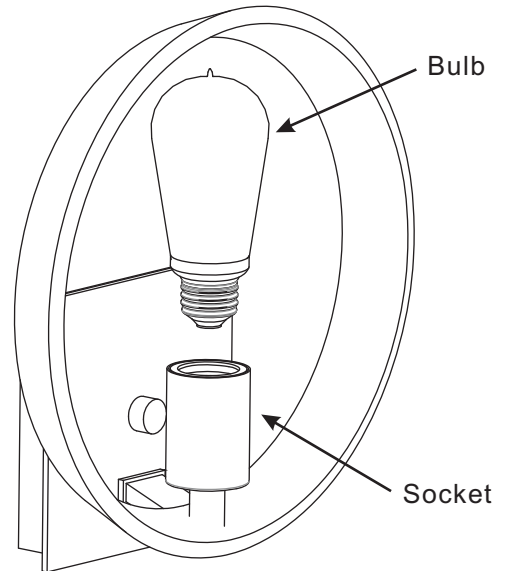
Thank you for purchasing a Quozel product.
Need assistance with parts or assembly? Call Quozel customer service at 1-631-273-2700
or visit us on-line at www. quozel. com

STEP 5 – Install Bulb

- A. This fixture uses Medium Base Decorative Filament 60W bulb (G), Maximum 100W. Insert bulb and screw snugly into place.

Your fixture is now assembled and ready to use.
Enjoy!

Figure 6



Thank you for purchasing a Quozel product.
Need assistance with parts or assembly? Call Quozel customer service at 1-631-273-2700
or visit us on-line at www. quozel. com