

Please go to [www. quozel. com](http://www. quozel. com) for product cleaning tips. Goto the **Care + Maintenance** selection.

**Tools Required:** Flathead screwdriver, Phillips screwdriver, pliers, wire cutters, wire strippers, electrical tape, safety glasses.

**Bulb Recommended:** (2) B10 Candelabra Base Bulbs 60W Maximum

**Estimated Assembly Time:** 30-45 minutes

**Preparation:** Identify and inspect all parts before beginning installation. Check package content list and diagrams below to be sure all parts are present. If any parts are missing or damaged, do not attempt to assemble, install, or operate the fixture. Contact customer service for replacement parts.

**Fixture can only be mounted in the direction indicated on page 2.**

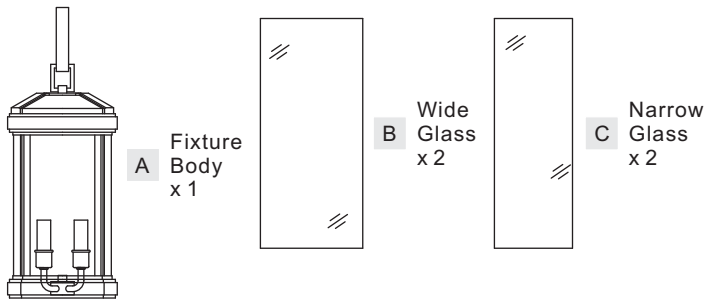
**⚠ Warnings and Cautions**

Turn off electricity at circuit breaker or main fuse box before installation. Consult a licensed electrician if in doubt.

These instructions are provided for your safety. It is very important you read them completely before installing the fixture. We strongly recommend that a licensed, professional electrician perform the installation.

Disconnect fixture from power source before replacing bulbs. Make sure bulbs are given sufficient time to cool before removal.

**Package Contents**

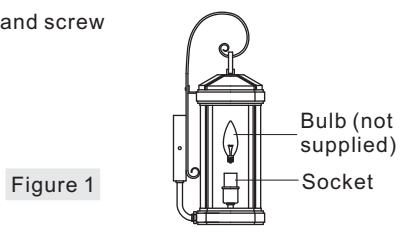


**Hardware Contents**



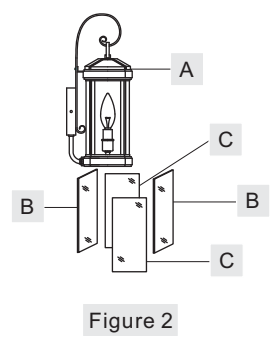
**STEP 1 - Install Bulbs**

A. Insert bulbs onto sockets and screw snugly into place.



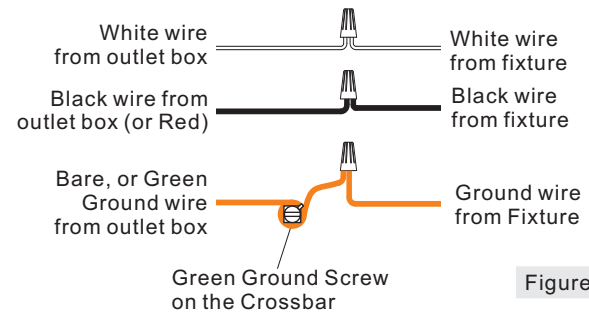
**STEP 2 - Attach Glass to Fixture Body**

A. Insert the Wider Glass (B) Panel to the Cage close to the backplate first. Then insert the two Narrow Glasses (C) to the cage next to the installed wider glass. Insert the other Wider Glass (B) to the cage at last.



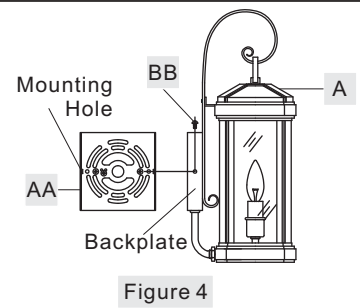
**STEP 3 - Wire Connections**

A. Wrap bare or green ground wire around green ground screw on the crossbar, no less than 2 inches from the end of the wire. Tighten the green ground screw.  
B. Use standard wire connectors (not included) to make all wire connections. Twist connectors until wires are tightly joined together. Wrap each connection with approved electrical tape and carefully stuff all the connected wires into the Outlet Box.



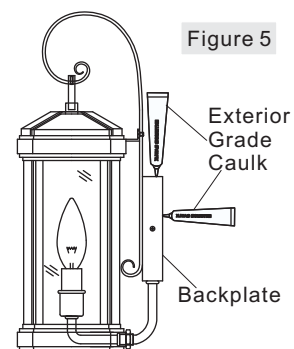
**STEP 4 - Attach fixture to Inner Backplate**

A. Place the backplate of the Fixture Body (A) onto the Inner Backplate (AA). Line up holes on both of them. Thread Mounting Screws (BB) into the mounting holes on the Inner Backplate (AA) and hand tighten until snug to secure them.



**STEP 5 - Apply Silicone Sealer**

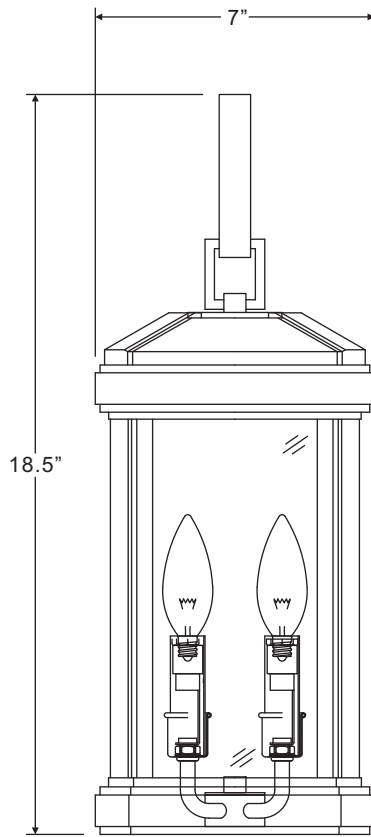
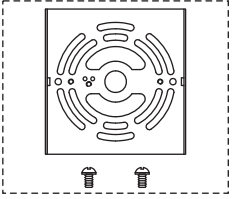
A. Make sure exterior wall surface and fixture backplate are free of dirt before applying caulk. Using exterior grade caulk, caulk over top of backplate and down other side. Do not caulk bottom of fixture backplate to ensure proper moisture drainage.  
  
Your fixture is now assembled and ready to use. Enjoy!



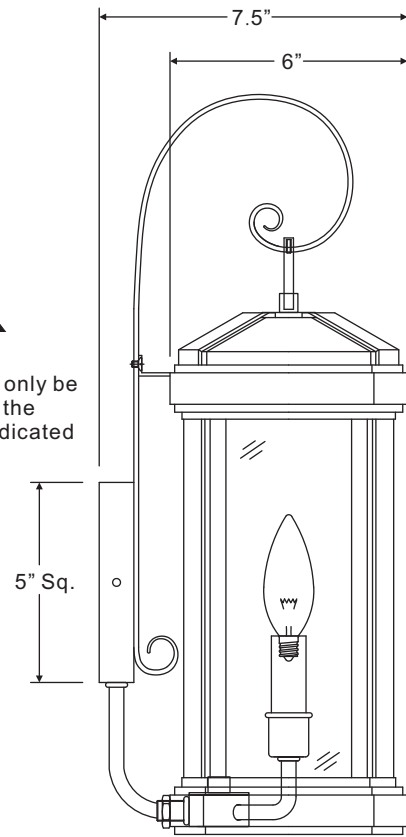
**Thank you for purchasing a Quoizel product.**  
**Need assistance with parts or assembly? Call Quoizel customer service at 1-800-645-3184 or visit us on-line at [www. quozel. com](http://www. quozel. com)**

TML8407K

FINISH: MYSTIC BLACK



↑  
Fixture can only be mounted in the direction indicated



NOTE: ALL DIMENSIONS ARE ROUNDED UP TO THE NEAREST 1/2"

Thank you for purchasing a Quoizel product.  
Need assistance with parts or assembly? Call Quoizel customer service at 1-800-645-3184  
or visit us on-line at [www.quoise.com](http://www.quoise.com)