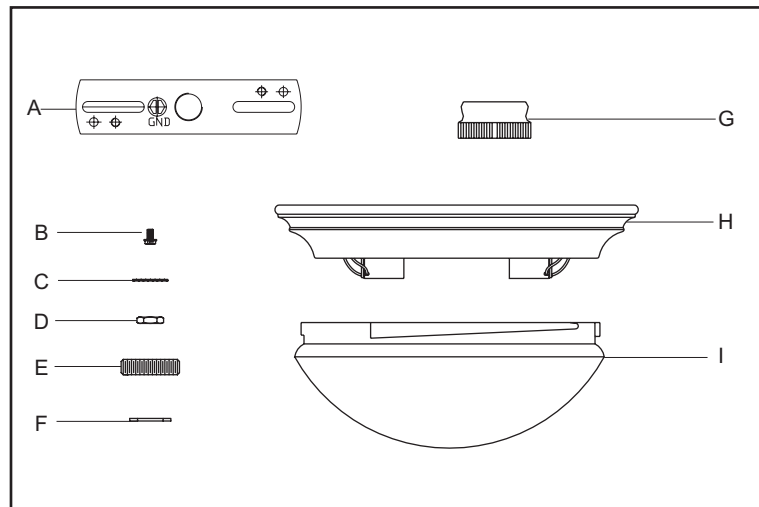


**PACKAGE CONTENTS**

ISSUED 03-2011

PART	DESCRIPTION	QUANTITY
A	Crossbar	1pc
B	Green Ground Screw	1pc
C	Lock Washer	1pc
D	Hex Nut	2pcs
E	Nipple	1pc
F	Flat Washer	1pc
G	Finial	1 pc
H	Ceiling Canopy	1 pc
I	Shade	1 pc



**! WARNINGS AND CAUTIONS**

**WARNING:**

- Before beginning the installation, turn off electricity at the circuit breaker box or the main fuse box by switching off the circuit breaker or removing the fuse.

**CAUTION:**

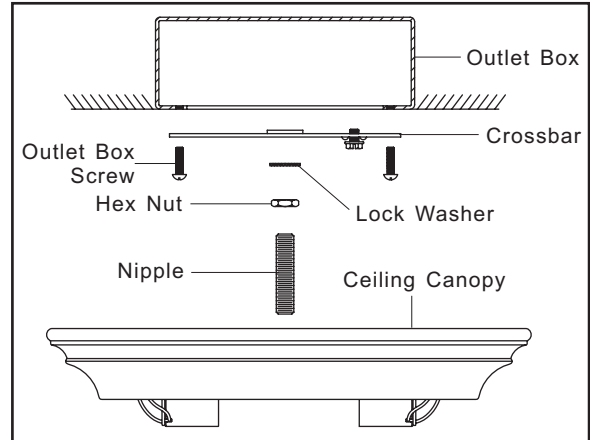
- These instructions are provided for your safety. It is very important that they are read completely before the installation of your fixture. We strongly recommend that a professional electrician install the fixture.
- Disconnect fixture from the power source before replacing the bulb(s), making sure that bulb(s) had sufficient time to cool down. DO NOT subject the lamp to any shock while lit as shattering of lamp may result.

**PREPARATION**

- Before beginning installation of product, make sure all parts are present. Compare parts with package contents list and diagram above. If any part is missing or damaged, do not attempt to assemble, install or operate the product. Contact customer service for replacement part.
- Estimated Assembly Time: 15 - 20 minutes
- Tool Required for Assembly (not included): Flathead screwdriver, Phillips screwdriver, Pliers, Electrical tape, Wire cutter, Safety glasses and (2) 75W Type-A medium base bulbs.
- Helpful Tools (not included): Wire strippers.

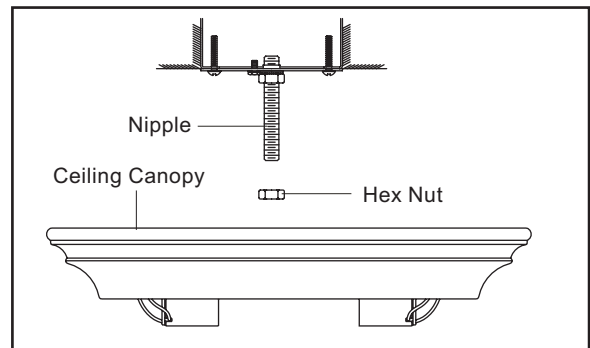
**STEP 1:**

- a. Locate the Crossbar and attach it to the Outlet Box using the Outlet Box Screws (not supplied).
- b. Locate the Nipple and thread one Hex Nut onto it about half way. Slip a Lock Washer onto it and thread one end of the nipple into the center hole of the Crossbar.
- c. Position the Ceiling Canopy over the outlet box, passing the mounting hole in the center of the Ceiling Canopy over the end of Nipple.
- d. Adjust the Nipple so approx. 3/8" inch of the Nipple is protruding from the mounting hole. This adjustment may take a few tries.
- e. When this length is achieved, remove the Ceiling Canopy and tighten the Hex Nut against the underside of the Crossbar with pliers.



**STEP 2:**

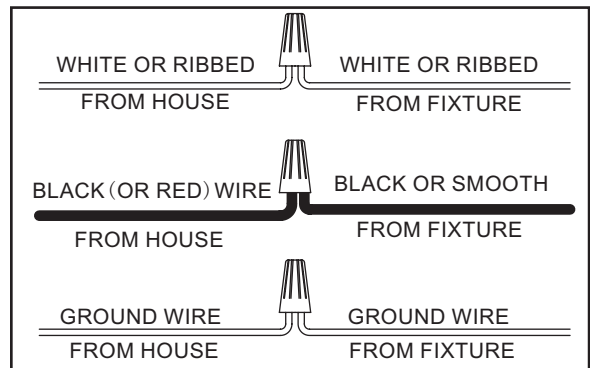
- a. Thread another Hex Nut onto the other end of the nipple. Thread this Hex Nut on just enough so the inside surface of the pan rests against it.  
\* You may have to trial fit the Ceiling Canopy one more times to insure this distance also. This Hex Nut is needed here to prevent you from crushing down the center of the Ceiling Canopy.



**STEP 3:**

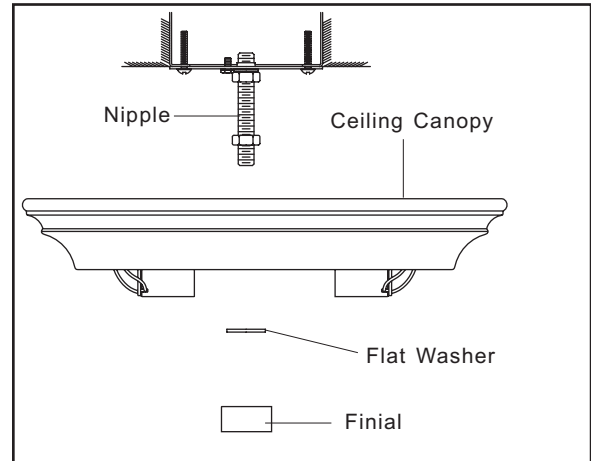
\*Use Wire Connectors (not supplied) to connect the wires.

- a. Connect the House Ground Wire to the Fixture Ground Wire.
- b. Connect the House White (or Ribbed) Wire to the Fixture Supply Wire (White or Ribbed Side).
- c. Connect the House Black (or Red) Wire to the Fixture Supply Wire (Black or Smooth Side).
- d. Wrap each connection with approved electrical tape and carefully stuff all of the connected wires into the Outlet Box.

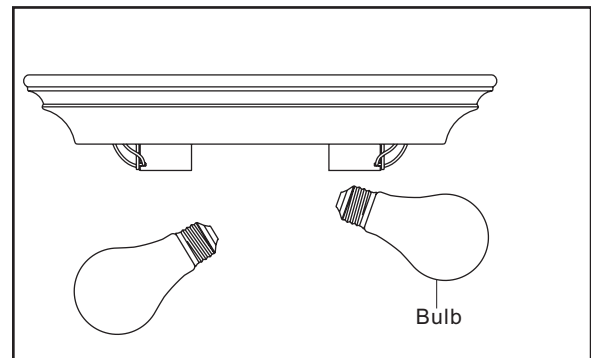


**STEP 4:**

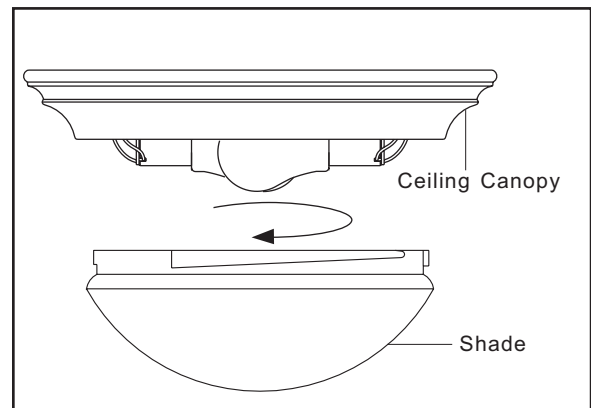
- a. Position the Ceiling Canopy to the ceiling by passing the Nipple through the center hole.
- b. Slip on the Flat Washer and then thread the Finial to the bottom end of the Nipple. Snug down assembly until the Ceiling Canopy is flush against the ceiling.
  - \* Be sure that there are no trapped or pinched wires along the edge of the pan.

**STEP 5:**

- a. Install correct bulbs referring to fixture markings and/or labels for maximum wattage.

**STEP 6:**

- a. Thread the Shade into the Ceiling Canopy clockwise. Hand tighten until snug gently.



Your installation is completed now. Restore electricity. Retain this sheet for future reference.