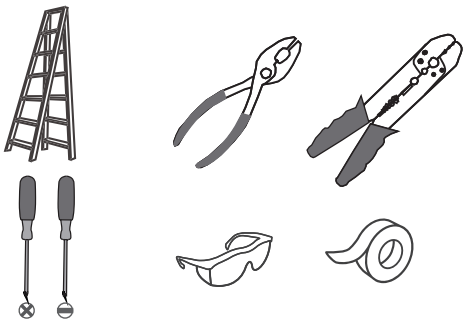
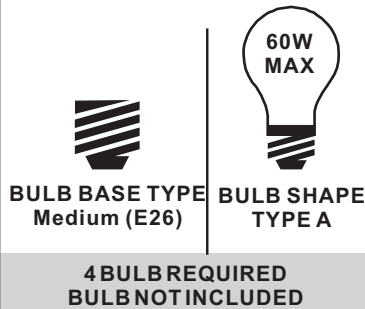


**Tools Required**



**Light Source**



**Fixture Height Adjustable 13" to 49"**

**Warnings and Cautions**

Turn off the electricity at the circuit breaker before installation. Consult a licensed electrician if in doubt about installation.

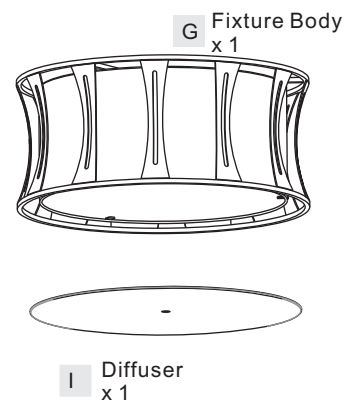
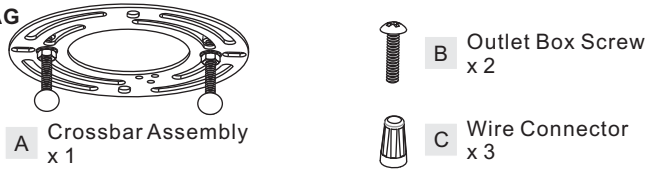
Turn off power to the fixture and allow the bulbs to cool before replacing.

**Package Contents**

**Preparation:** Identify and inspect all parts before beginning the installation.

Missing or damaged parts? Contact your original place of purchase.

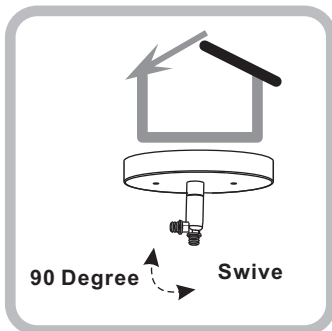
**PARTS BAG**



**Table of Contents**

Crossbar Assembly	Downrod	Wiring	Ceiling Canopy	Stem Assembly	Diffuser
STEP 1	STEP 2	STEP 3	STEP 4	STEP 5	STEP 6

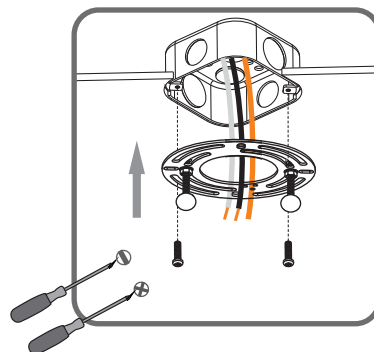
**STEP 1**



For angled ceilings, Swivel opening towards wall.

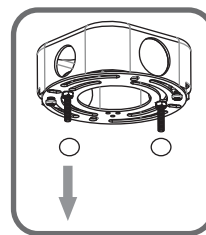
**1**

**Step 1**  
Install crossbar assembly

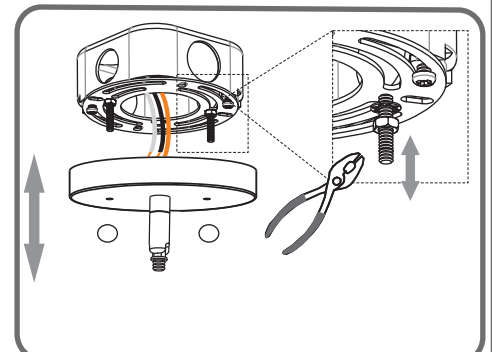


**2**

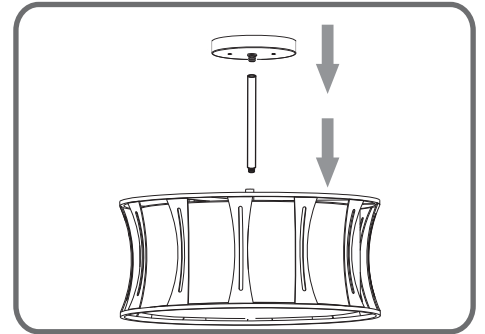
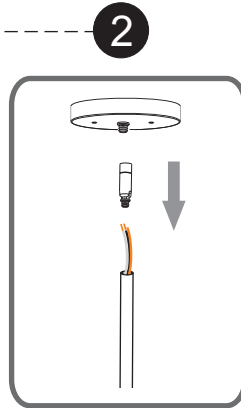
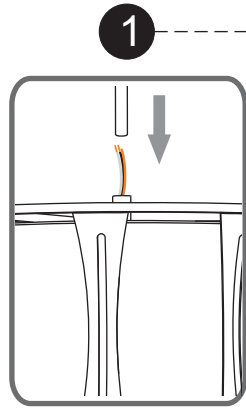
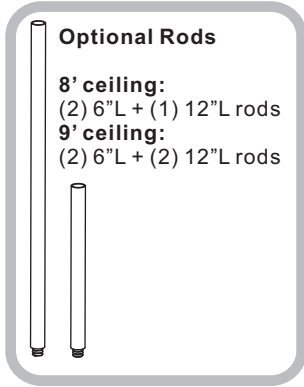
**Step 2 - 3**  
Test fitting ceiling canopy to mounting screws



**3**



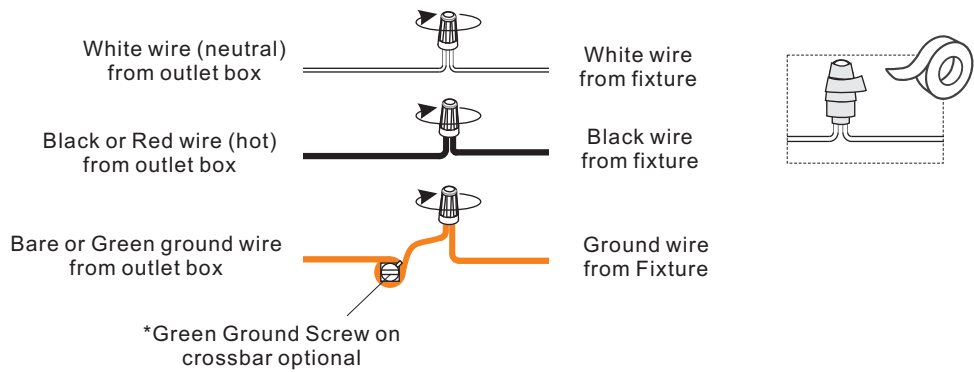
## STEP 2



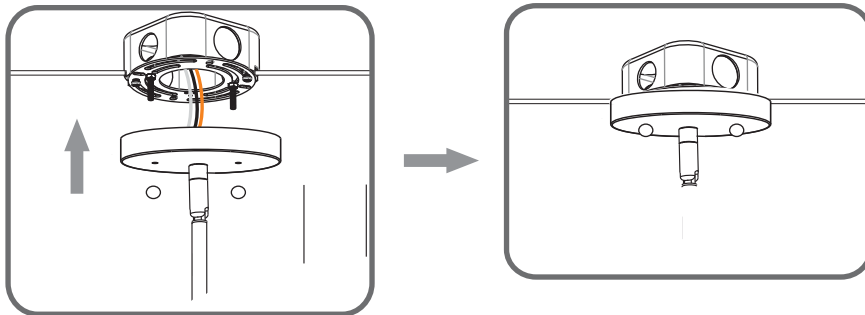
**OPTION 1**

**OPTION 2**

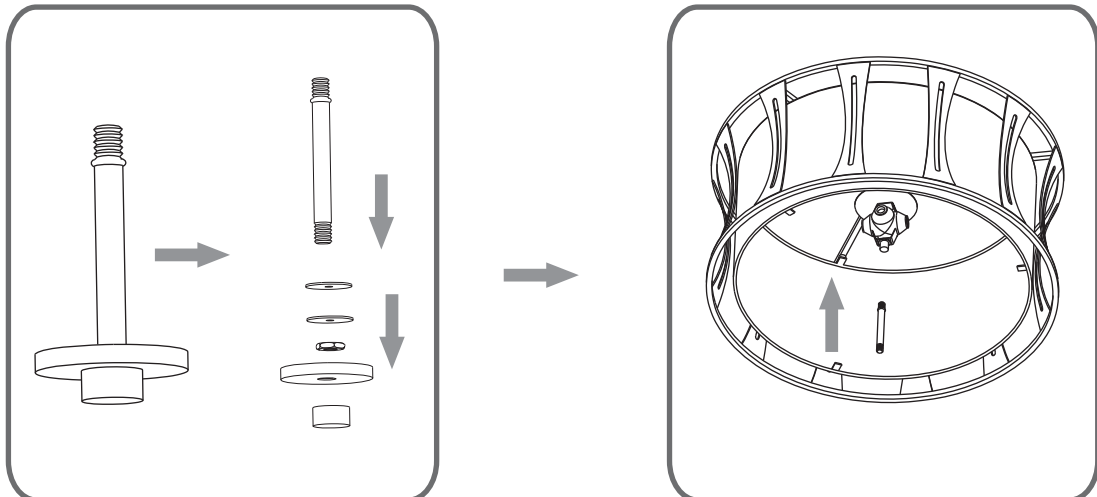
## STEP 3



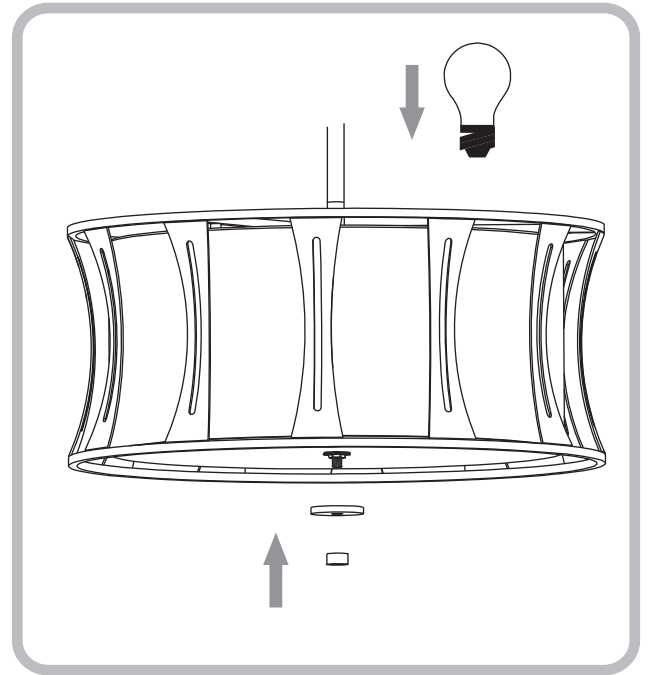
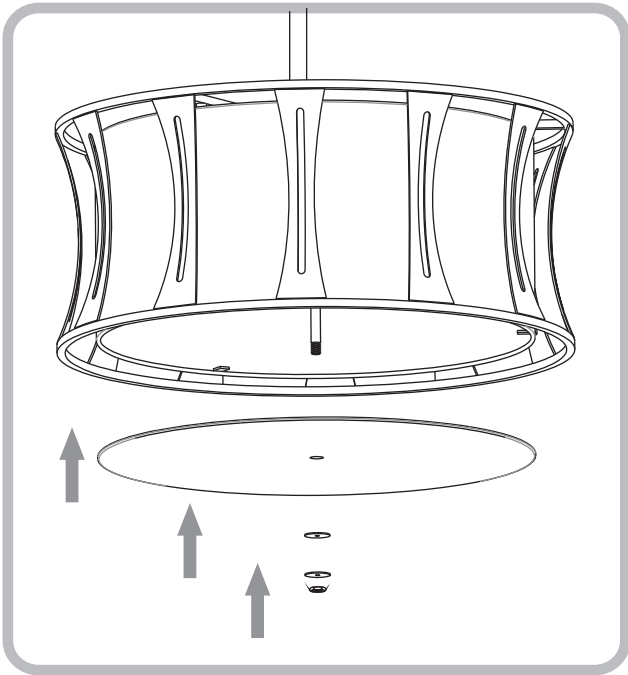
## STEP 4



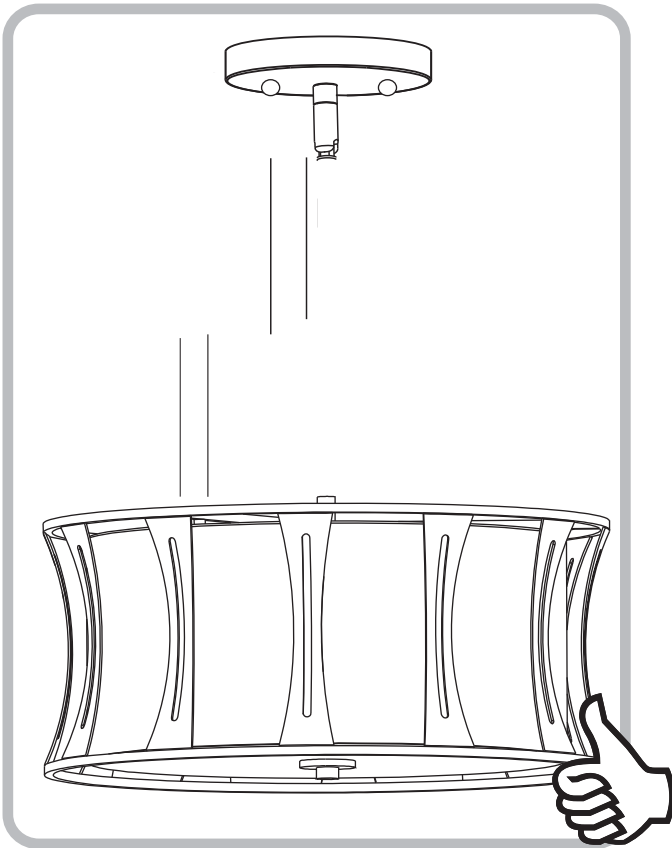
## STEP 5



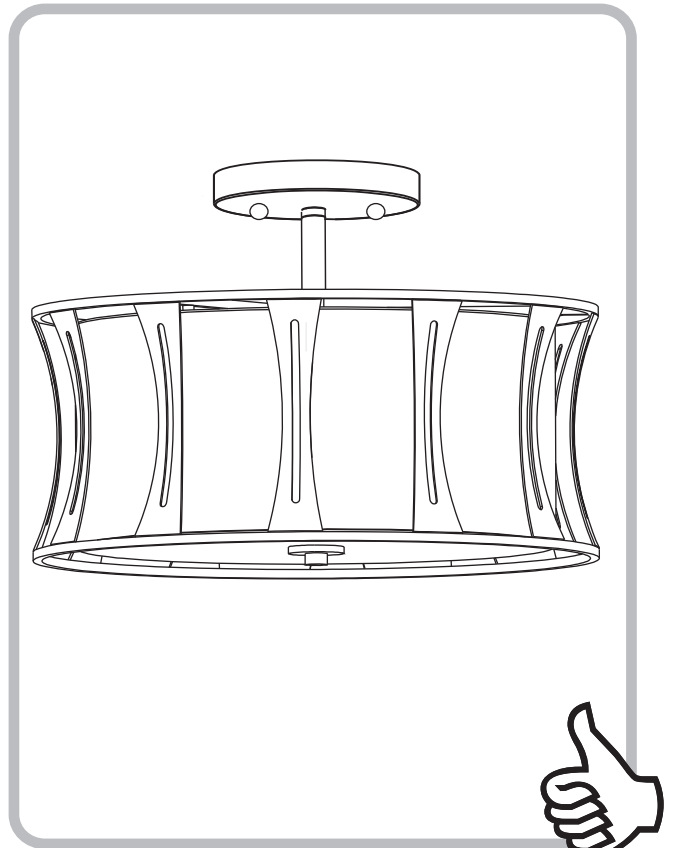
**STEP 6**



**STEP 7**



**OPTION 1**



**OPTION 2**