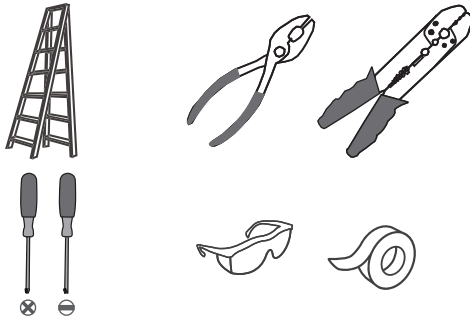


Tools Required



Light Source

26W
LED

**Fixture Height Adjustable
7.5" to 93.5"**

⚠ Warnings and Cautions

Turn off the electricity at the circuit breaker before installation. Consult a licensed electrician if in doubt about installation.

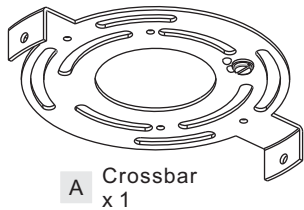
Turn off power to the fixture and allow the bulbs to cool before replacing.

Package Contents

Preparation: Identify and inspect all parts before beginning the installation.

Missing or damaged parts? Contact your original place of purchase.

PARTS BAG



A Crossbar
x 1



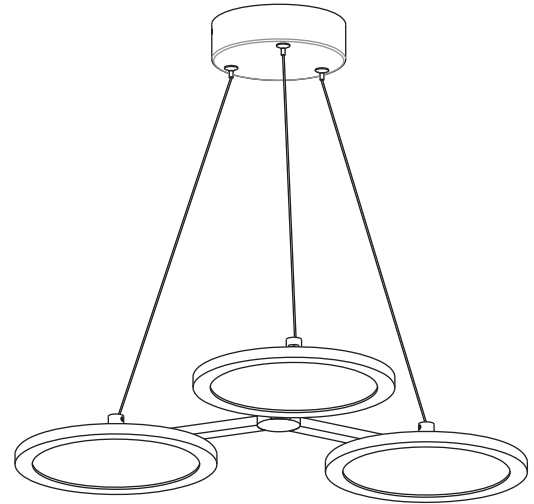
B Lock Screw
x 2



C Outlet Box Screw
x 2



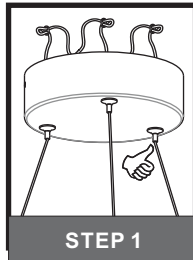
D Wire Connector
x 3



E Fixture Body
x 1

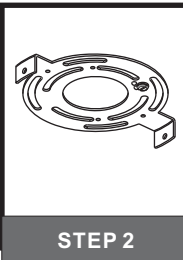
Table of Contents

Adjust Cord Length



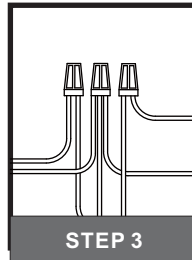
STEP 1

Crossbar



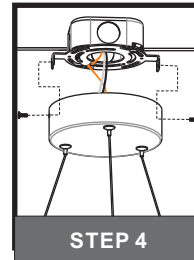
STEP 2

Wiring



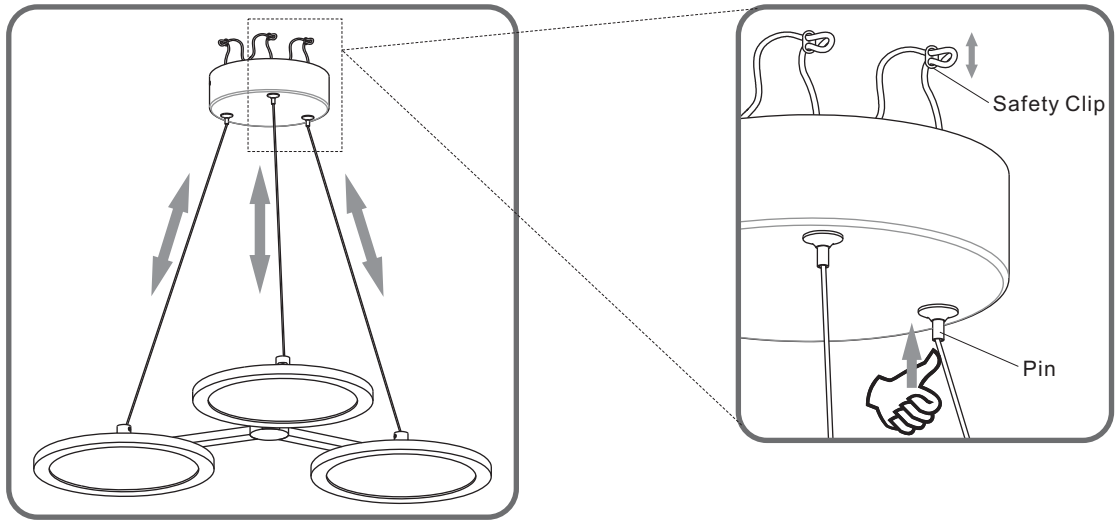
STEP 3

Fixture Body

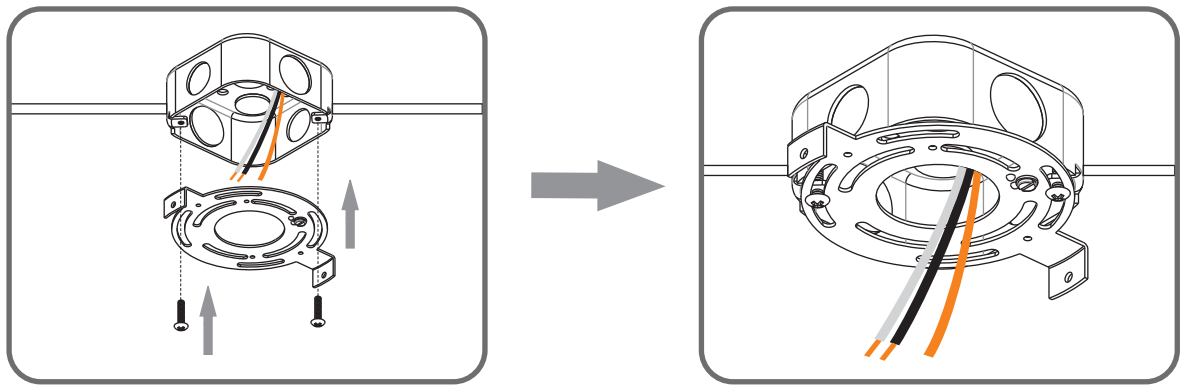


STEP 4

STEP 1



STEP 2



STEP 3

