

Please go to www. quoizel. com for product cleaning tips. Go to the **Care + Maintenance** selection.

Tools Required: Flathead screwdriver, Phillips screwdriver, pliers, wire cutters, wire strippers, electrical tape, safety glasses.

Light Source: Integrated 14W LED

Estimated Assembly Time: 45-60 minutes

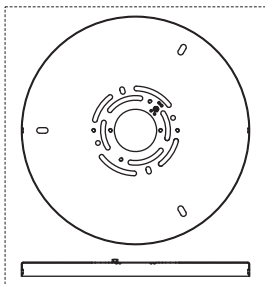
Preparation: Identify and inspect all parts before beginning installation. Check package content list and diagrams below to be sure all parts are present. If any parts are missing or damaged, do not attempt to assemble, install, or operate the fixture. Contact customer service for replacement parts.

⚠ Warnings and Cautions

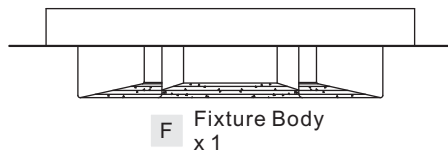
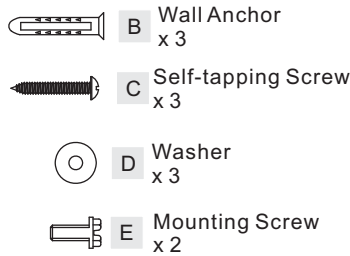
Turn off electricity at circuit breaker or main fuse box before installation. Consult a licensed electrician if in doubt.

These instructions are provided for your safety. It is very important you read them completely before installing the fixture. We strongly recommend that a licensed, professional electrician perform the installation.

Package Contents



A Inner Backplate x 1



F Fixture Body x 1

STEP 1 - Install Inner Backplate

- Attach the Inner Backplate (A) onto the Outlet Box and make four marks on the ceiling from keyholes on the Inner Backplate (A).
- Remove the Inner Backplate (A) and drill proper holes on the ceiling from marks. Insert Wall Anchors (B) into the holes properly. Pass supply wires and ground wire through the center hole of the Inner Backplate (A). Attach the Inner Backplate (A) to Outlet Box. Thread Outlet Box Screws (not Supplied) into mounting holes on the Outlet Box. Pass Washers (D) over Self-tapping Screws (C) and thread Self-tapping Screws (C) into Wall Anchors (B). Hand tighten until snug.

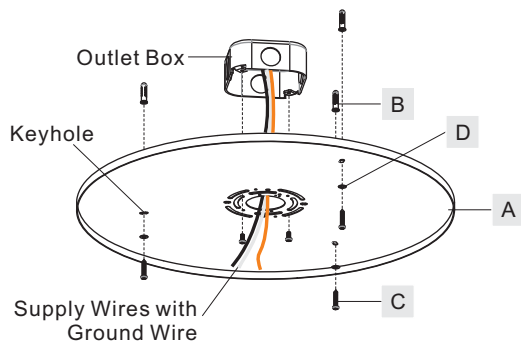


Figure 1

STEP 2 - Wire Connections

- Use standard wire connectors (not included) to make all wire connections. Twist connectors until wires are tightly joined together. Wrap each connection with approved electrical tape and carefully stuff all the connected wires into the Outlet Box.

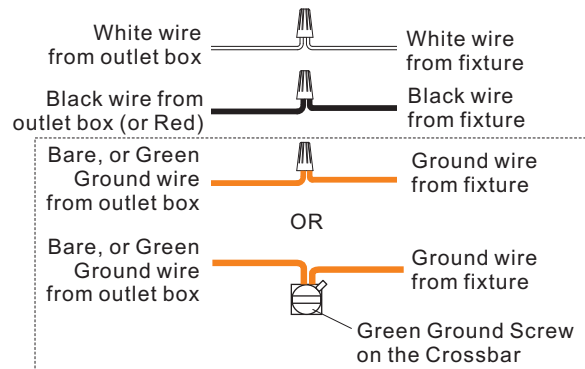


Figure 2

STEP 3 - Install Fixture Body

- Place ceiling canopy of Fixture Body (F) over the Inner Backplate (A). Line up Holes on the side of ceiling canopy and the Mounting Hole on the Inner Backplate (A). Secure by threading Mounting Screws (E) into the Inner Backplate (A). Tighten until snug with screwdrivers.

Your fixture is now assembled and ready to use. Enjoy!

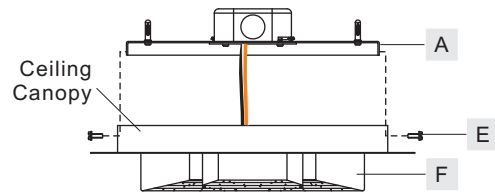
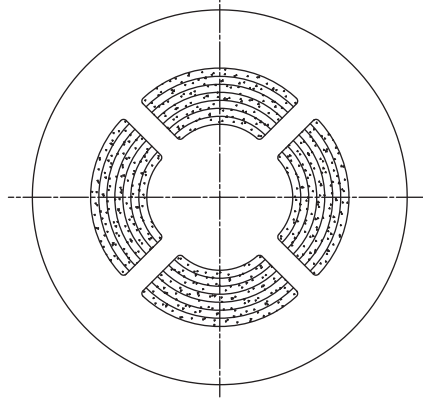
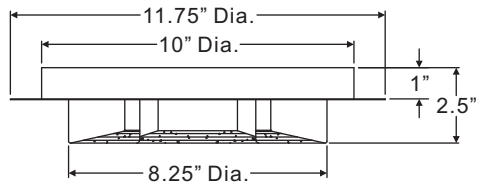
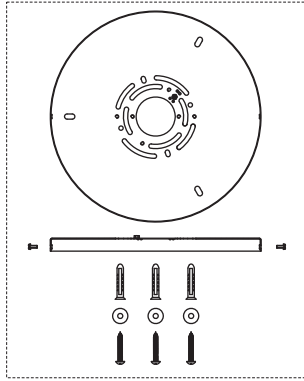


Figure 3

Thank you for purchasing a Quoizel product.
Need assistance with parts or assembly? Call Quoizel customer service at 1-800-645-3184
or visit us on-line at www. quoizel. com

PCLT1612C

FINISH: POLISHED CHROME



NOTE: ALL DIMENSIONS ARE ROUNDED UP TO THE NEAREST 1/4"

Thank you for purchasing a Quoizel product.
Need assistance with parts or assembly? Call Quoizel customer service at 1-800-645-3184
or visit us on-line at www.quoise.com