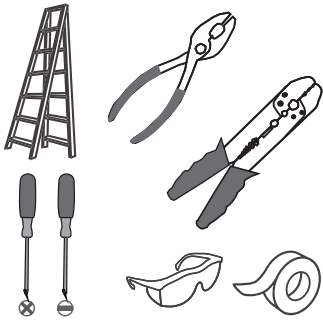
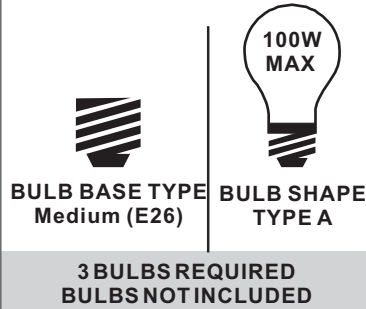


Tools Required



Light Source



Warnings and Cautions

Turn off the electricity at the circuit breaker before installation. Consult a licensed electrician if in doubt about installation.

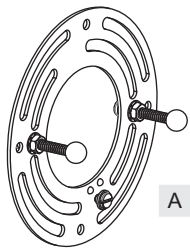
Turn off power to the fixture and allow the bulbs to cool before replacing.

Package Contents

Preparation: Identify and inspect all parts before beginning the installation.

Missing or damaged parts? Contact your original place of purchase.

PARTS BAG



A Crossbar Assembly x 1



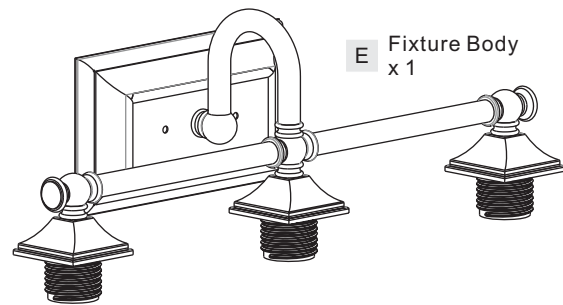
B Alternate Mounting Screw x 2



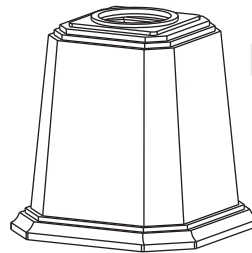
C Outlet Box Screw x 2



D Wire Connector x 3



E Fixture Body x 1




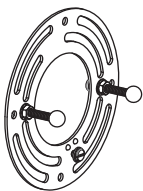
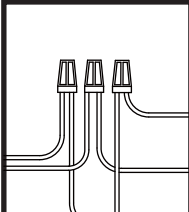
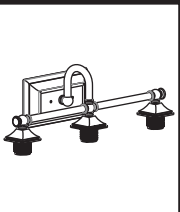
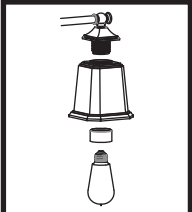
F Shade x 3



G Socket Collar x 3

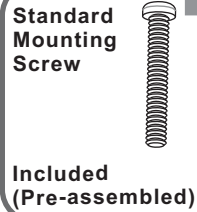
Note: Socket collar shape is for illustration purpose only. Your socket collar shape may vary from illustration.

Table of Contents

Alternate Mounting Screw	Crossbar Assembly	Wiring	Fixture Body	Shade & Bulb
				
STEP 1	STEP 2	STEP 3	STEP 4	STEP 5

STEP 1

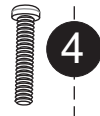
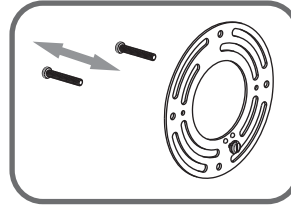
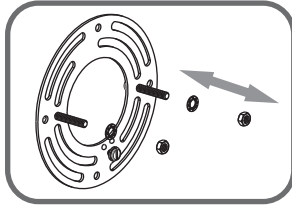
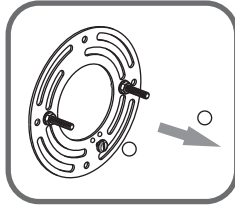
OPTION 1



skip to next page

1 ----- 2 ----- 3

Steps 1-3 to remove standard mounting screws



OPTION 2



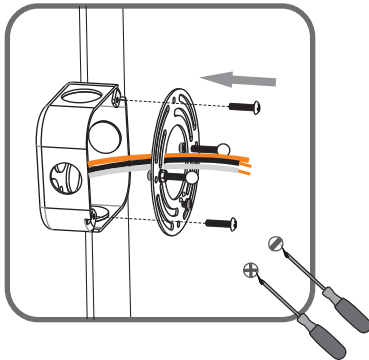
Steps 4-6 to reassemble with alternate mounting screws

6 ----- 5

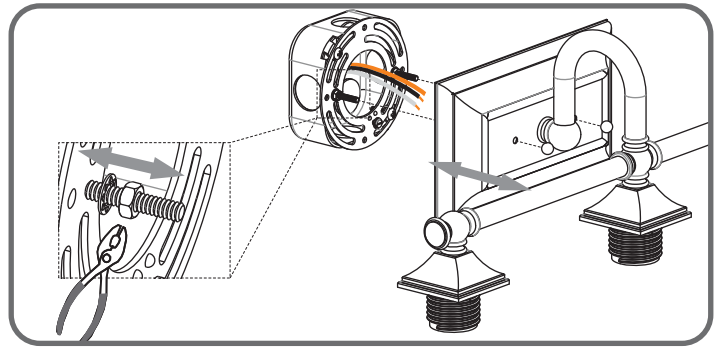
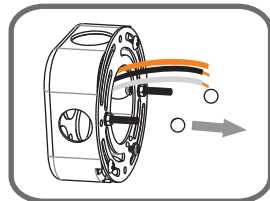
STEP 2

1 ----- 2 ----- 3

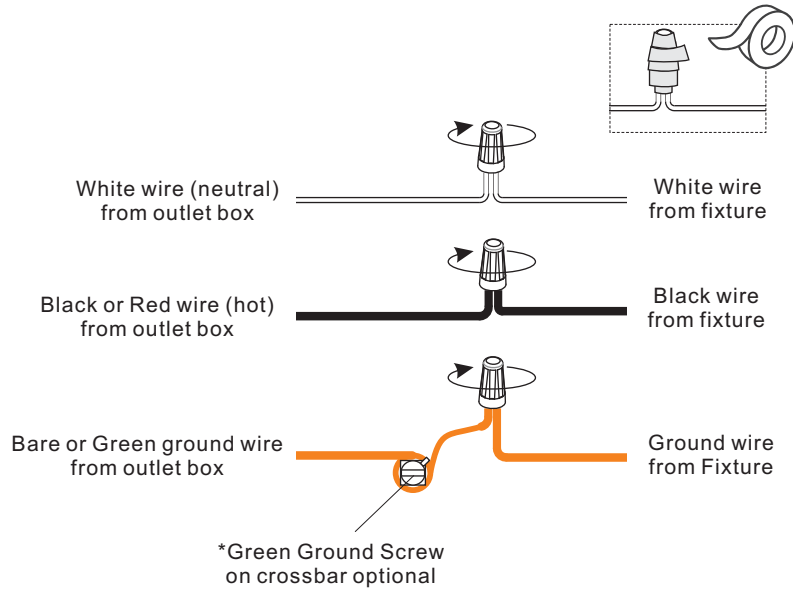
Step 1
Install crossbar assembly



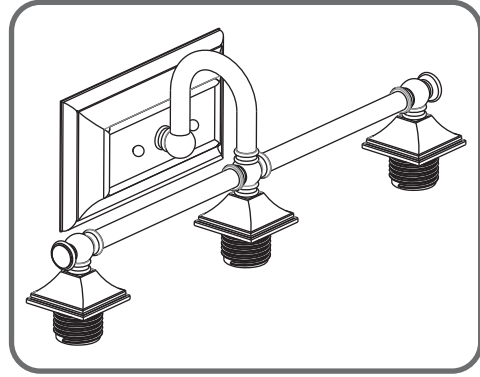
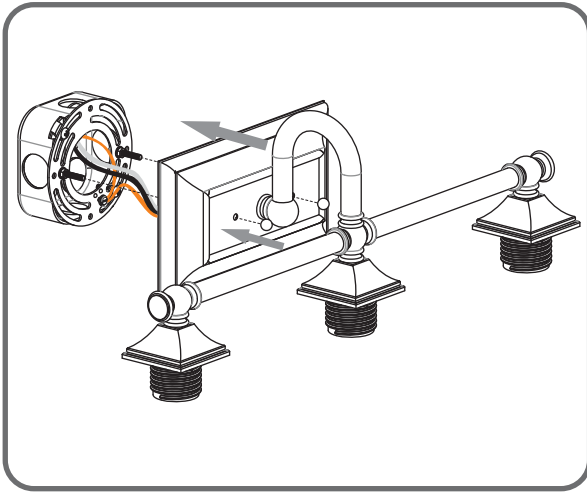
Step 2 - 3
Test fitting backplate to mounting screws



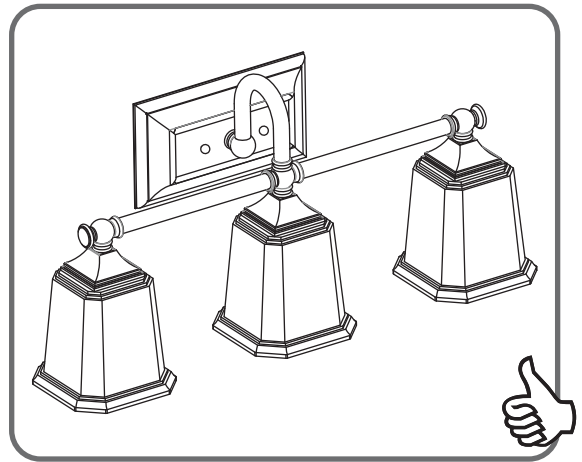
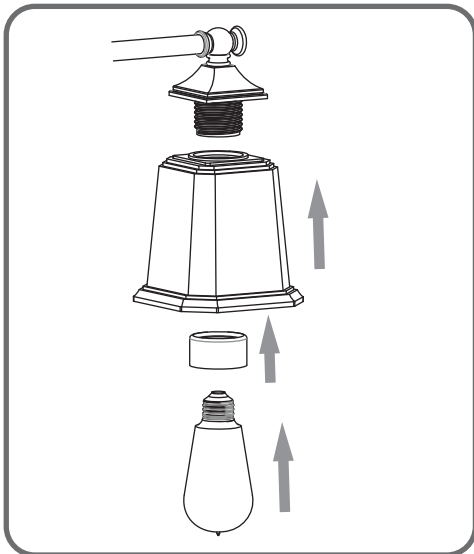
STEP 3



STEP 4



STEP 5



Note: Socket collar shape is for illustration purpose only. Your socket collar shape may vary from illustration.