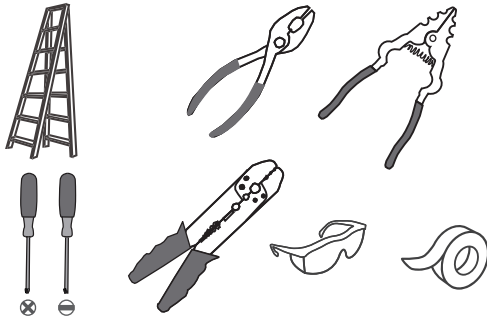
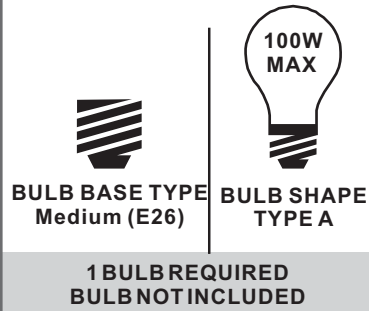


**Tools Required**



**Light Source**



**Fixture Height Adjustable  
19" to 116.5"**

**⚠ Warnings and Cautions**

Turn off the electricity at the circuit breaker before installation. Consult a licensed electrician if in doubt about installation.

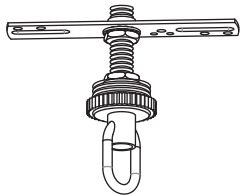
Turn off power to the fixture and allow the bulbs to cool before replacing.

**Package Contents**

**Preparation:** Identify and inspect all parts before beginning the installation.

Missing or damaged parts? Contact your original place of purchase.

**PARTS BAG**



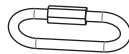
**A** Crossbar Assembly x 1



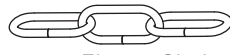
**B** Outlet Box Screw x 2



**C** Wire Connector x 3



**D** Quick Link x 2



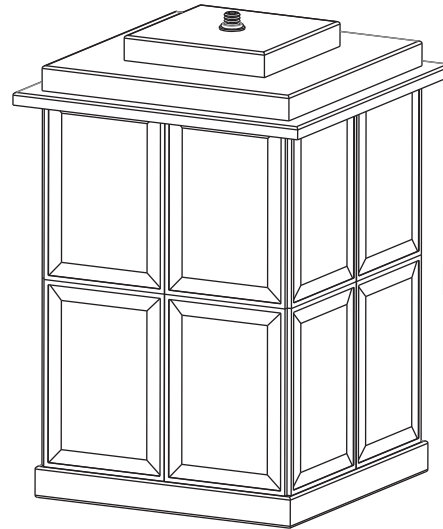
**E** Fixture Chain x 1



**F** Ceiling Canopy x 1



**G** Fixture Loop x 1

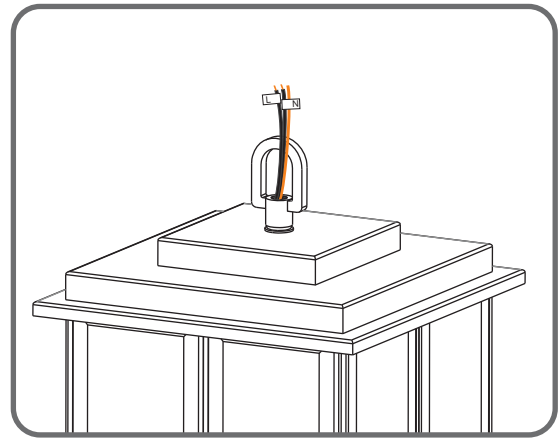
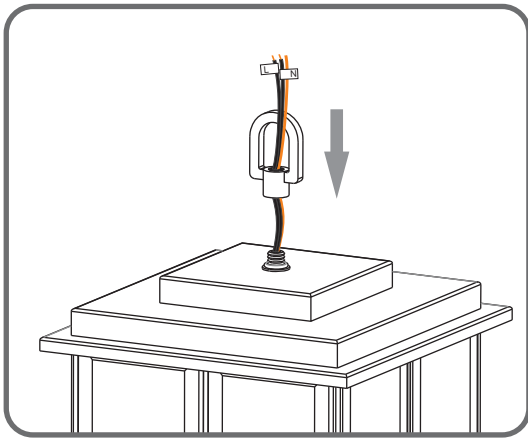


**H** Fixture Body x 1

**Table of Contents**

Fixture Loop	Crossbar Assembly	Fixture Chain	Wiring	Ceiling Canopy	Bulb
<b>STEP 1</b>	<b>STEP 2</b>	<b>STEP 3</b>	<b>STEP 4</b>	<b>STEP 5</b>	<b>STEP 6</b>

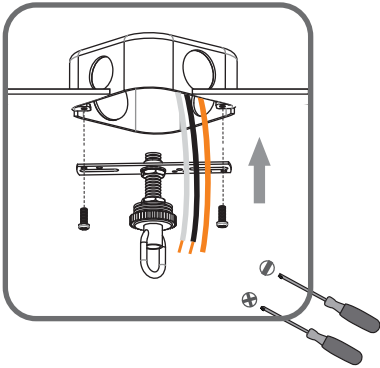
## STEP 1



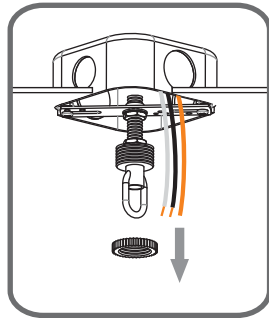
## STEP 2

1

Step 1  
Install crossbar assembly

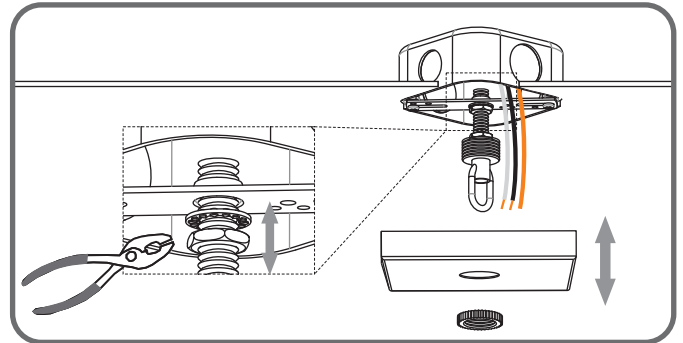


2



3

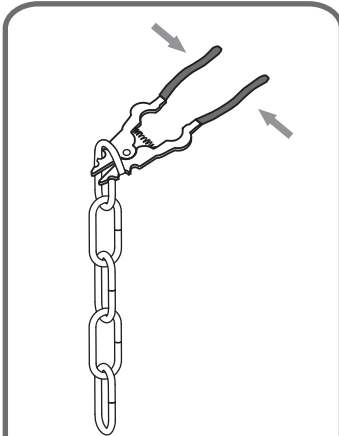
Step 2 - 3  
Test fitting ceiling canopy to nipple



### STEP 3

1

Step 1  
Adjust fixture chain length

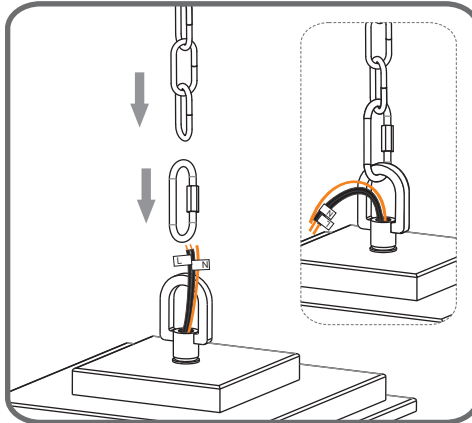


Suggested Chain Length:

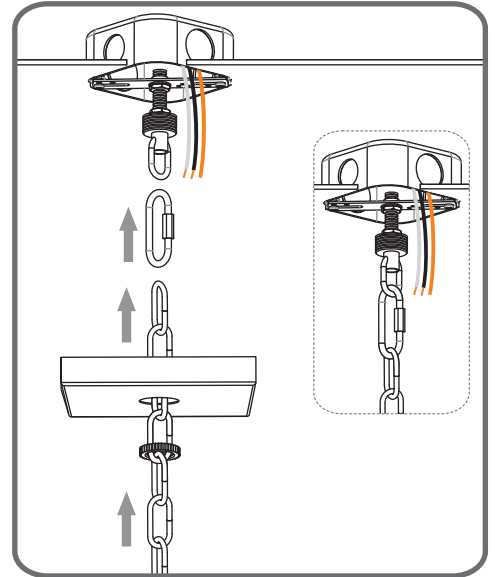
- 8' ceiling: 10" Chain
- 9' ceiling: 22" Chain
- 10' ceiling: 32" Chain

2

Step 2 - 3  
Install Fixture Chain



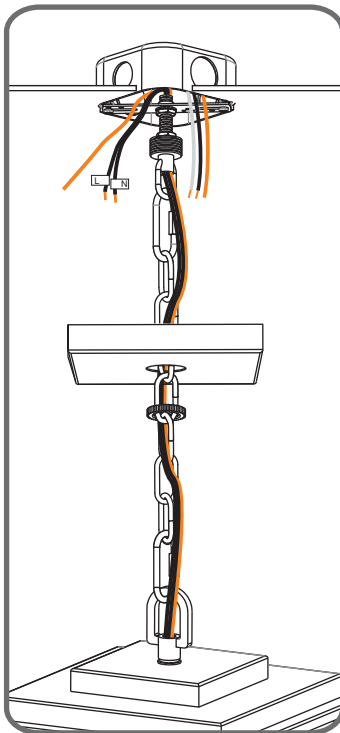
3



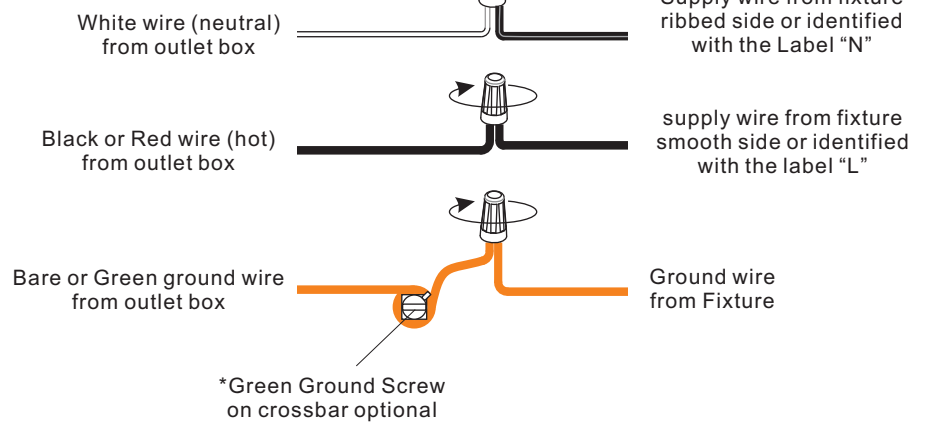
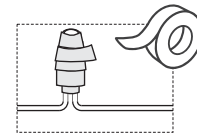
### STEP 4

1

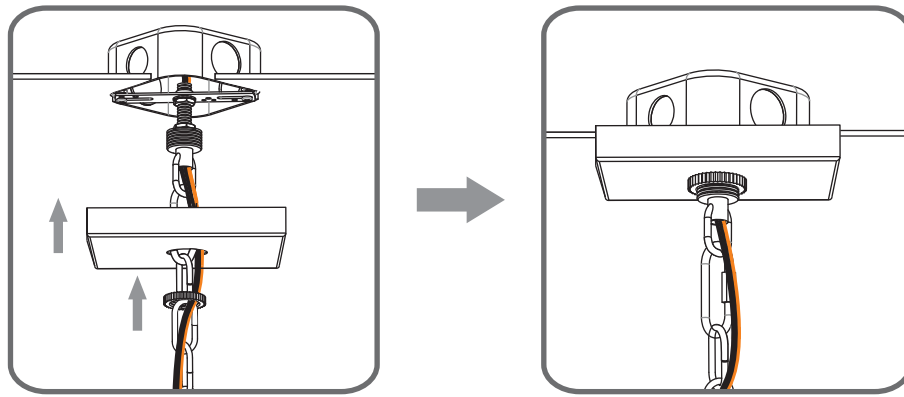
Step 1  
Feed the fixture wires  
through the loop



2



**STEP 5**



**STEP 6**

