

Tools Required: Flathead screwdriver, Phillips screwdriver, pliers, wire cutters, wire strippers, electrical tape, safety glasses.

Bulb Recommended: (3) Medium Base 100W Maximum, Alternate bulb (3) 23WCFL

Estimated Assembly Time: 20-30 minutes

Preparation: Identify and inspect all parts before beginning installation. Check package content list and diagrams below to be sure all parts are present. If any parts are missing or damaged, do not attempt to assemble, install, or operate the fixture. Contact customer service for replacement parts.

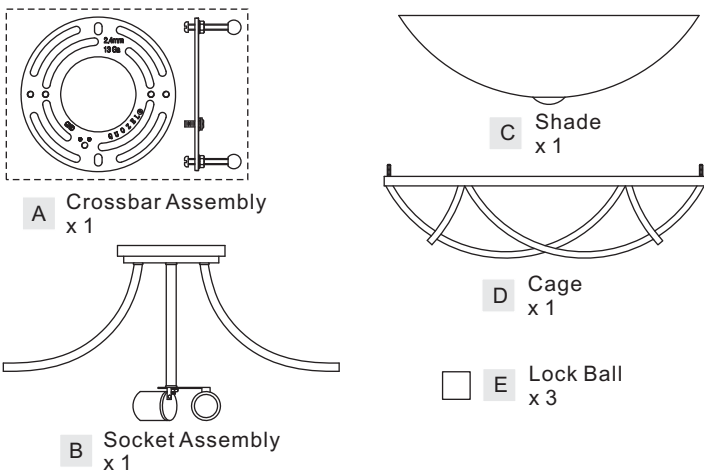
⚠ Warnings and Cautions

Turn off electricity at circuit breaker or main fuse box before installation. Consult a licensed electrician if in doubt.

These instructions are provided for your safety. It is very important you read them completely before installing the fixture. We strongly recommend that a licensed, professional electrician perform the installation.

Disconnect fixture from power source before replacing bulbs. Make sure bulbs are given sufficient time to cool before removal. Do not subject glass parts to any shock while in operation or shattering may result.

Package Contents



STEP 3 – Attach Fixture Body to Mounting Screw

- A. Remove Mounting Balls from the Crossbar Assembly (A).
- B. Place the Ceiling Canopy of the Ceiling Canopy over the Mounting Screws and secure with Mounting Ball. Hand tighten until snug.

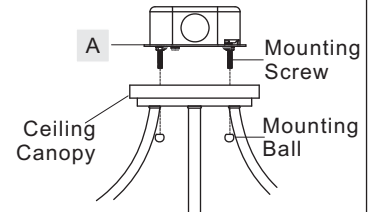


Figure 3

STEP 4 – Install Shade, Cage and Bulb

- A. Place the Shade (C) inside of the Cage (D). Lift up the Cage (D) with the Shade (C) and pass the Bolts on the top edge of the Cage (D) through the holes at the ends of Side Arms. Secure by threading Lock Balls (E) onto Bolts. Hand tighten until snug.
- B. This fixture uses standard bulb with medium screw base. Maximum 100 watts. Insert bulb and screw snugly into place.

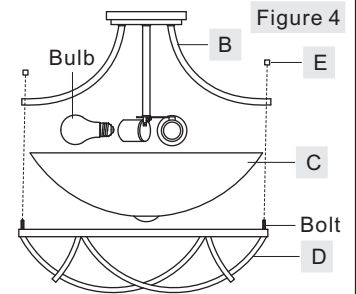


Figure 4

STEP 1 – Install Crossbar Assembly

- A. Pass the supply wires through the Crossbar Assembly (A). Attach the Crossbar Assembly (A) to the Outlet Box with the head of the Green Ground Screw facing you. Secure it with Outlet Box Screws (not included). Tighten until snug.

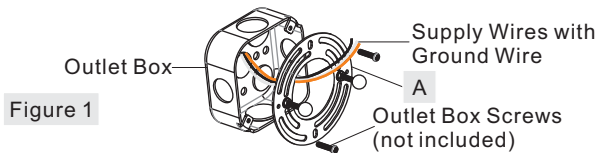


Figure 1

STEP 2 - Wire Connections

- A. Use standard wire connectors (not included) to make all wire connections. (Connectors are not included with fixture.) Twist connectors until wires are tightly joined together. Wrap each connection with approved electrical tape and carefully stuff all the connected wires into the Outlet Box.

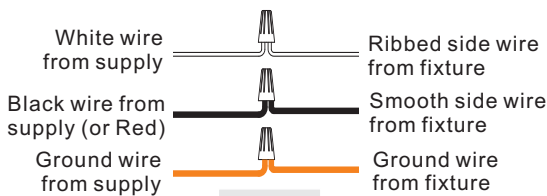
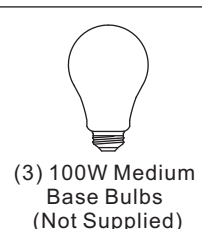
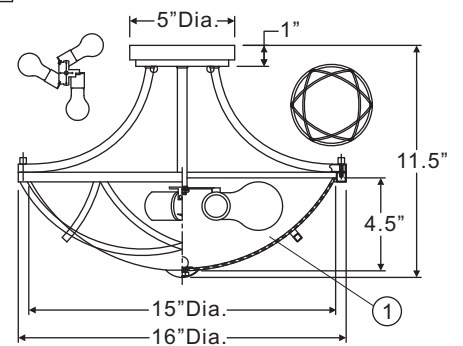
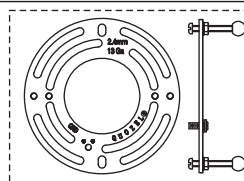


Figure 2

MBK1716VG

FINISH: VINTAGE GOLD



NO.	PART NUMBER	REPLACEMENT PART	REQ.
1	G3917SH	SHADE	1

Thank you for purchasing a Quoizel product.
Need assistance with parts or assembly? Call Quoizel customer service at 1-631-273-2700 or visit us on-line at www. quozel. com