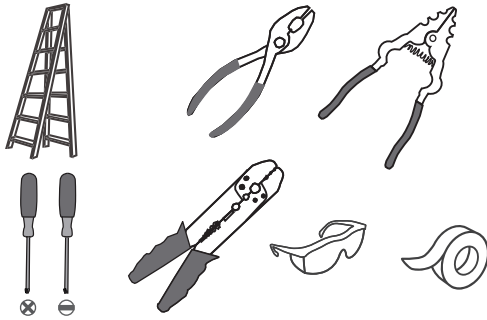
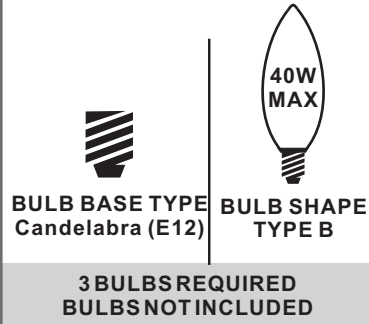


Tools Required



Light Source



Warnings and Cautions

Turn off the electricity at the circuit breaker before installation. Consult a licensed electrician if in doubt about installation.

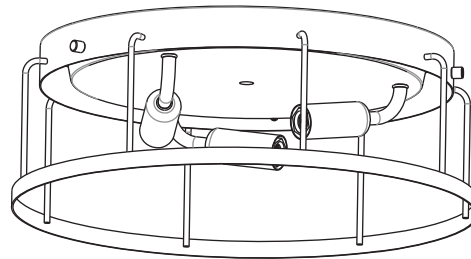
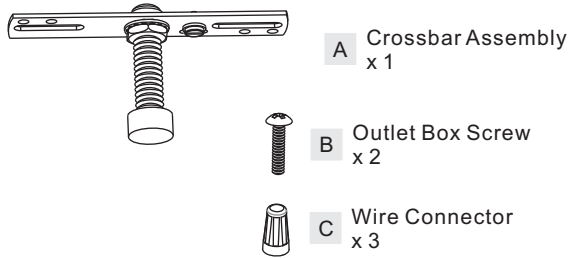
Turn off power to the fixture and allow the bulbs to cool before replacing.

Package Contents

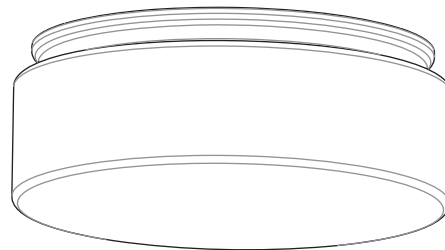
Preparation: Identify and inspect all parts before beginning the installation.

Missing or damaged parts? Contact your original place of purchase.

PARTS BAG



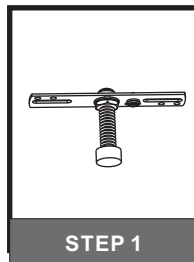
D Fixture Body x 1



E Shade x 1

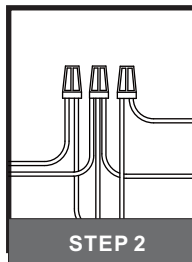
Table of Contents

Crossbar Assembly



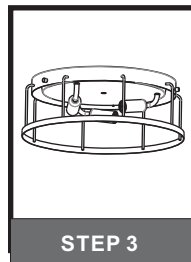
STEP 1

Wiring



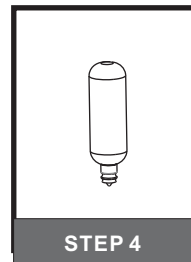
STEP 2

Fixture Body



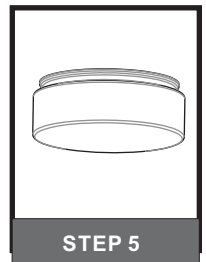
STEP 3

Bulbs



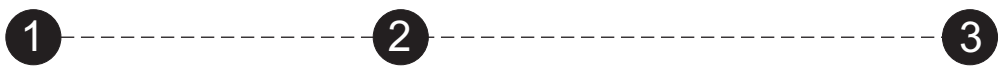
STEP 4

Shade

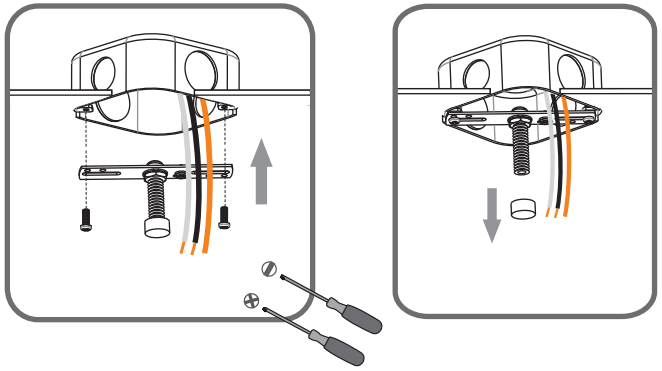


STEP 5

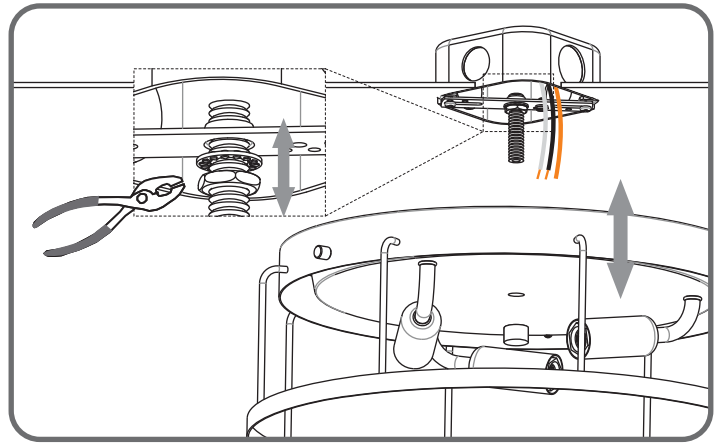
STEP 1



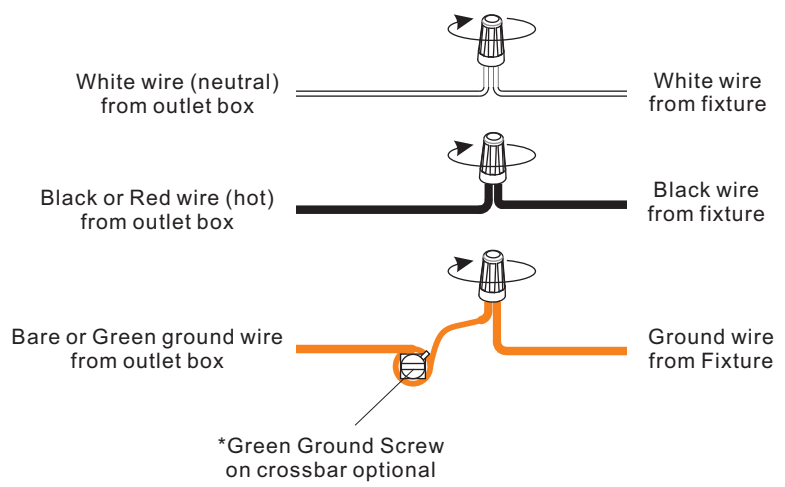
Step 1
Install crossbar assembly



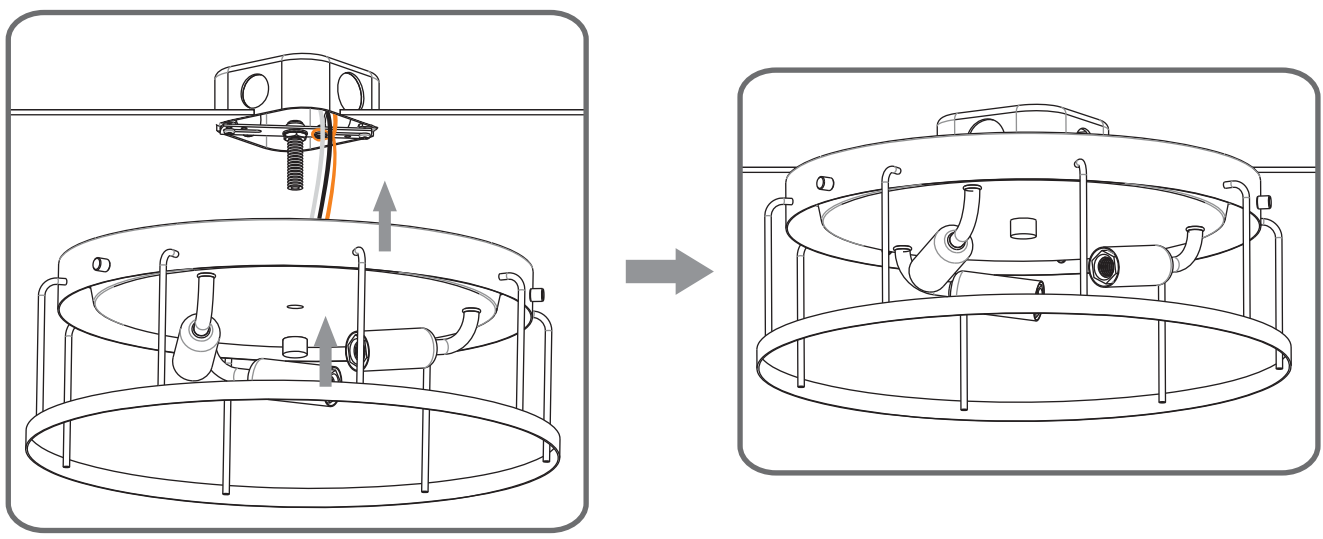
Step 2 - 3
Test fitting ceiling canopy to nipple



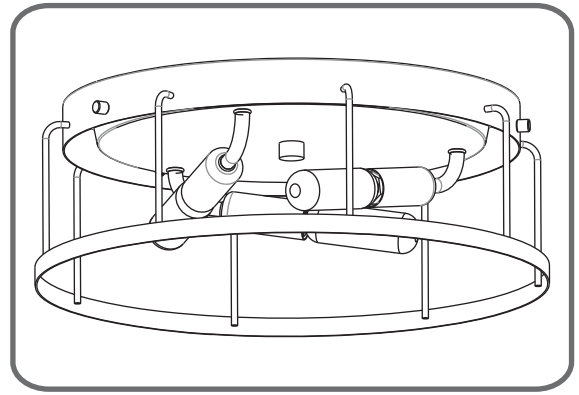
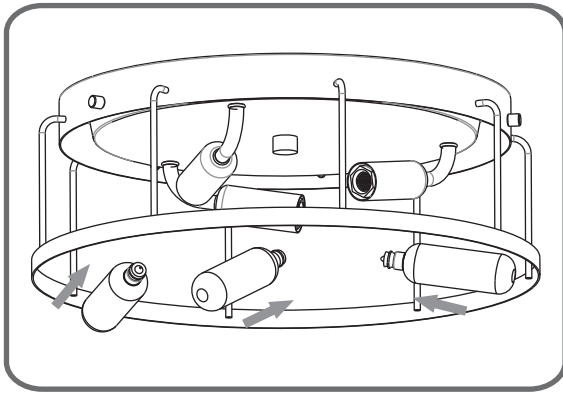
STEP 2



STEP 3



STEP 4



STEP 5

