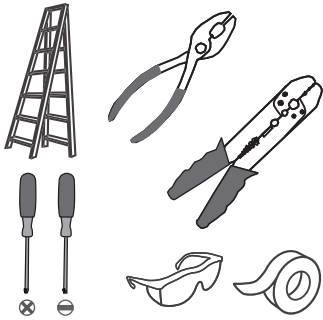
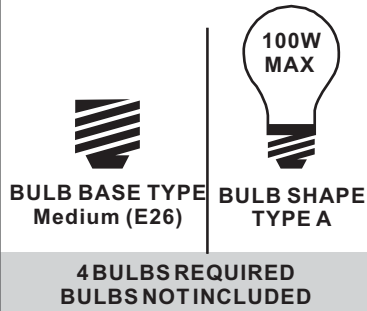


**Tools Required**



**Light Source**



**Warnings and Cautions**

Turn off the electricity at the circuit breaker before installation. Consult a licensed electrician if in doubt about installation.

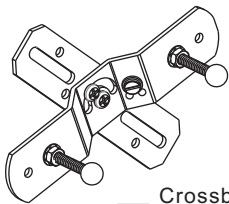
Turn off power to the fixture and allow the bulbs to cool before replacing.

**Package Contents**

**Preparation:** Identify and inspect all parts before beginning the installation.

Missing or damaged parts? Contact your original place of purchase.

**PARTS BAG**



**A** Crossbar Assembly x 1



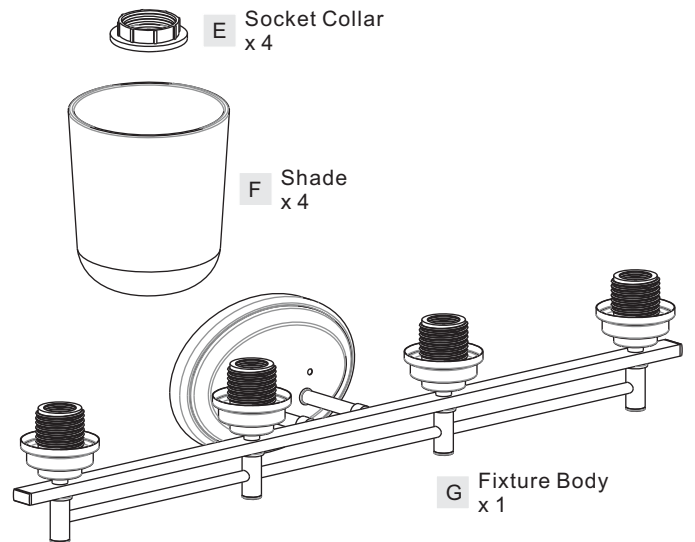
**B** Alternate Mounting Screw x 2




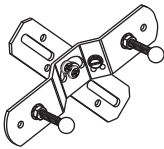
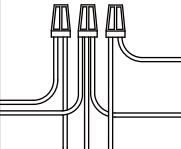
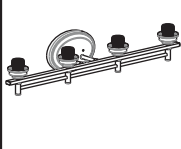
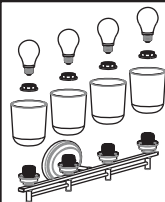
**C** Outlet Box Screw x 2



**D** Wire Connector x 3



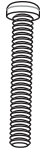
**Table of Contents**

Alternate Mounting Screw	Crossbar Assembly	Wiring	Fixture Body	Shade & Bulb
				
STEP 1	STEP 2	STEP 3	STEP 4	STEP 5

# STEP 1

OPTION 1

Standard Mounting Screw



Included (Pre-assembled)

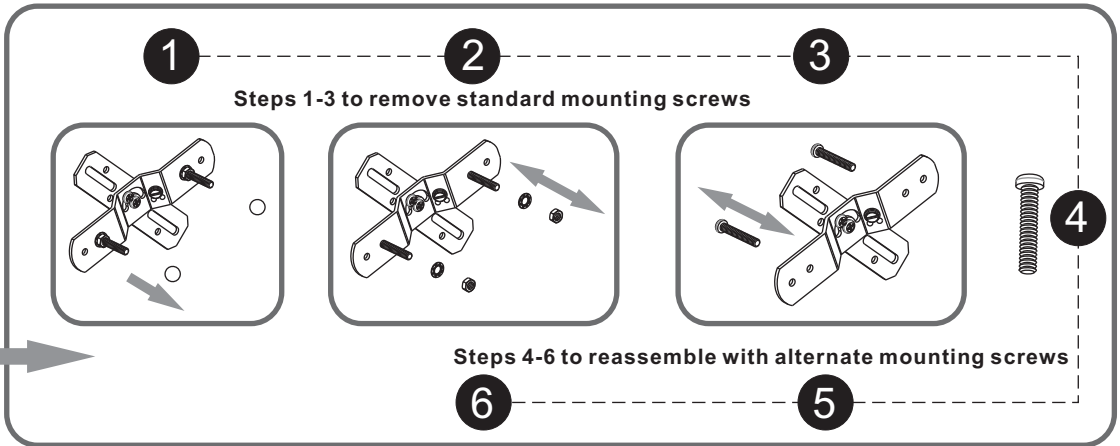
OPTION 2

Alternate Mounting Screw



Included

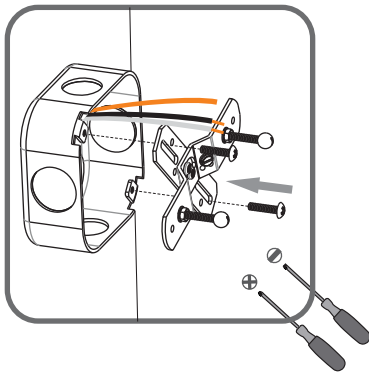
skip to next page



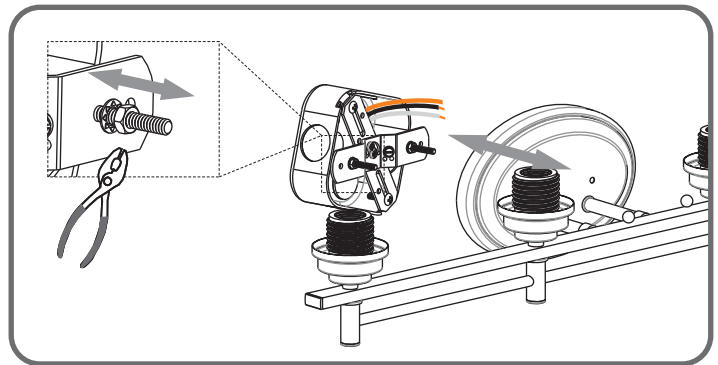
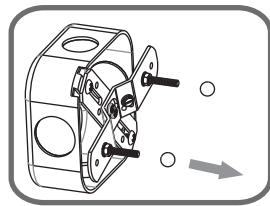
# STEP 2

1 2 3

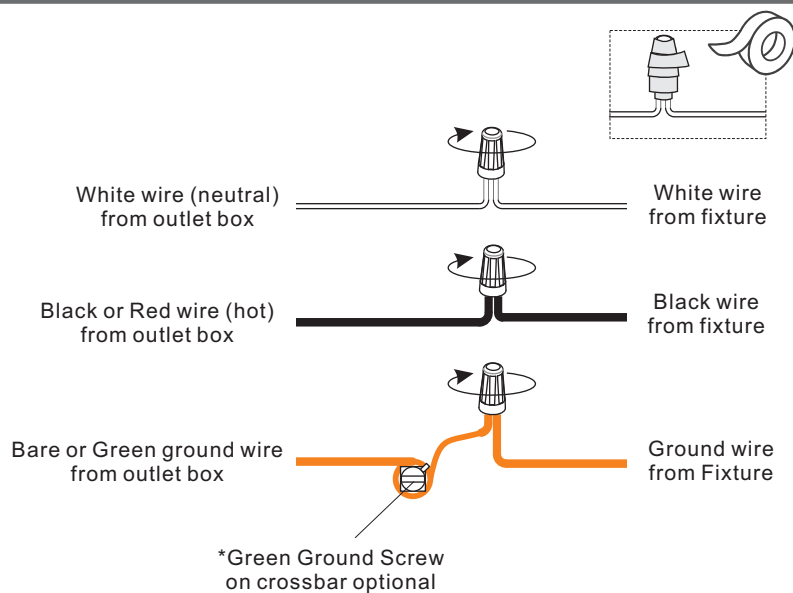
Step 1  
Install crossbar assembly



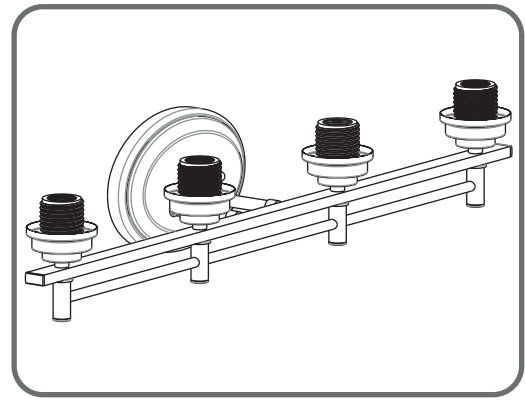
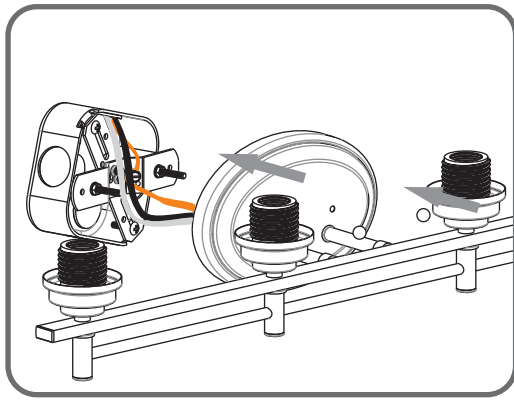
Step 2 - 3  
Test fitting backplate to mounting screws



# STEP 3



**STEP 4**



**STEP 5**

