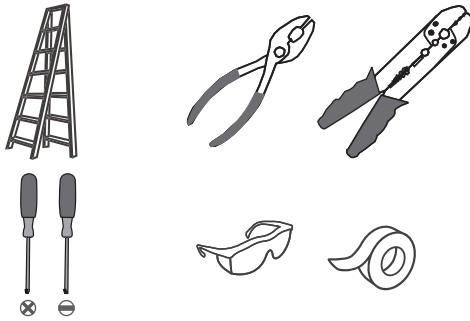
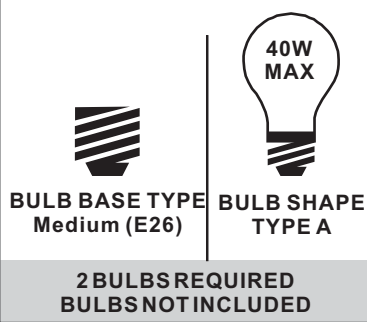


**Tools Required**



**Light Source**



**Warnings and Cautions**

Turn off the electricity at the circuit breaker before installation. Consult a licensed electrician if in doubt about installation.

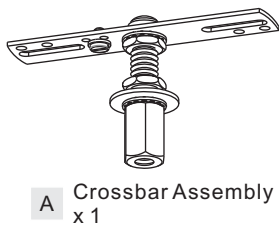
Turn off power to the fixture and allow the bulbs to cool before replacing.

**Package Contents**

**Preparation:** Identify and inspect all parts before beginning the installation.

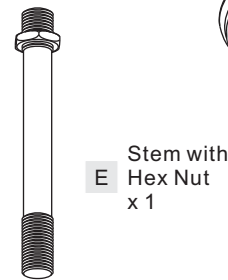
Missing or damaged parts? Contact your original place of purchase.

**PARTS BAG**

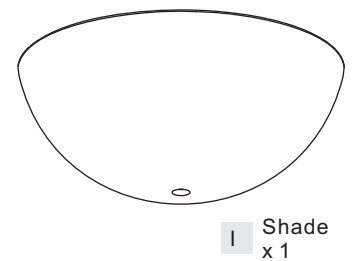
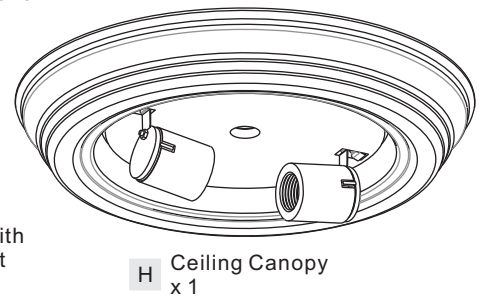


- B Outlet Box Screw x 2
- C Wire Connector x 3

- D Lock Washer x 1



- F Hex Nut x 1



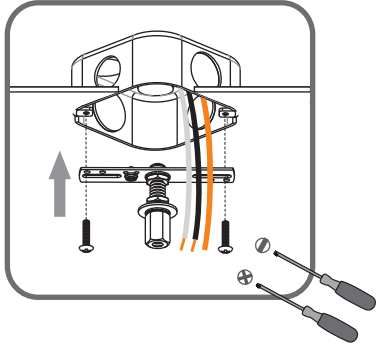
**Table of Contents**

Crossbar Assembly	Wiring	Ceiling Canopy	Stem with Hex Nut	Bulb	Shade
STEP 1	STEP 2	STEP 3	STEP 4	STEP 5	STEP 6

**STEP 1**

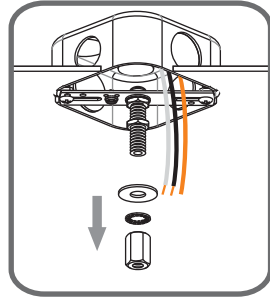
**1**

**Step 1**  
Install crossbar assembly

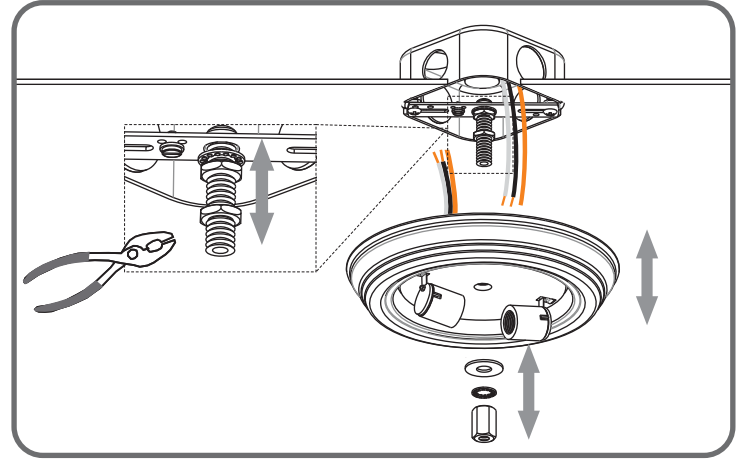


**2**

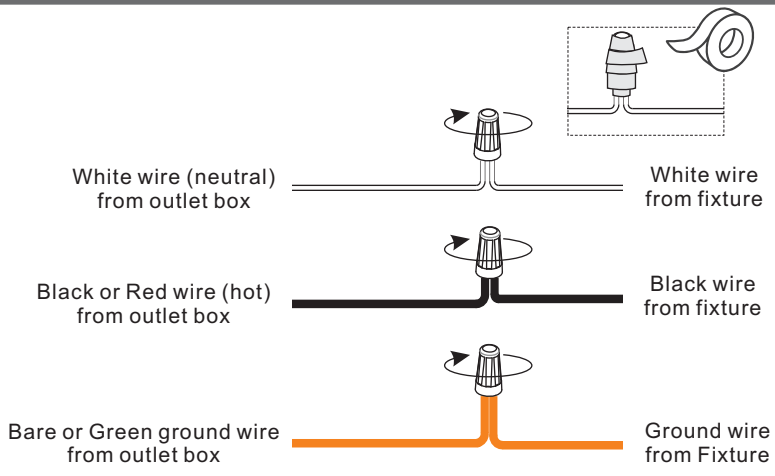
**Step 2 - 3**  
Test fitting ceiling canopy to nipple



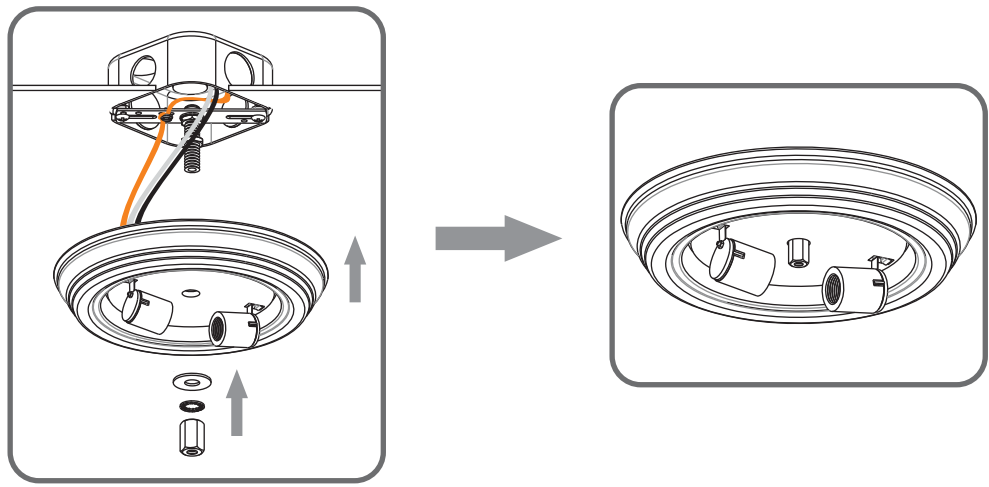
**3**



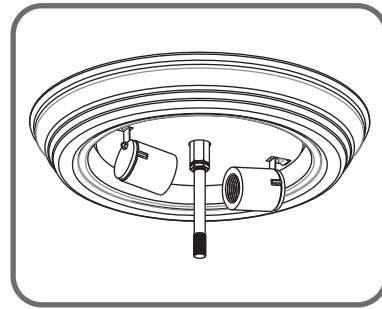
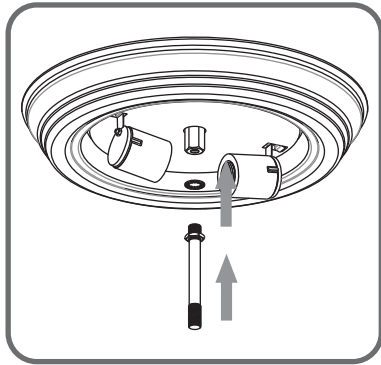
**STEP 2**



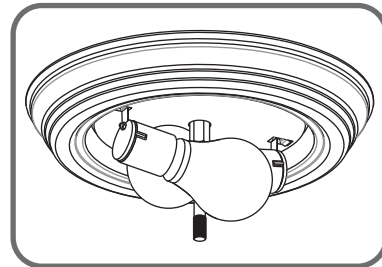
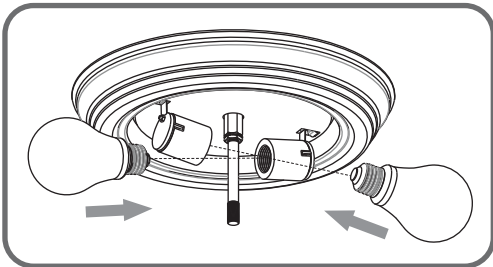
**STEP 3**



**STEP 4**



**STEP 5**



**STEP 6**

