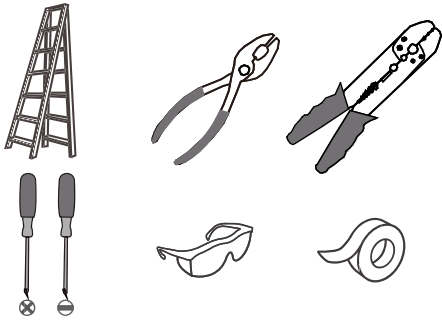
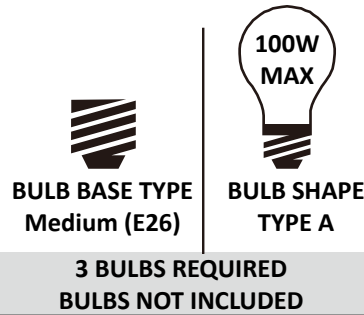


Tools Required



Light Source



Warnings and Cautions

Turn off the electricity at the circuit breaker before installation. Consult a licensed electrician if in doubt about installation.

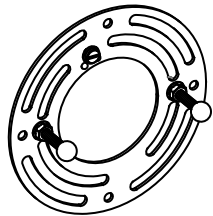
Turn off power to the fixture and allow the bulbs to cool before replacing.

Package Contents

Preparation: Identify and inspect all parts before beginning the installation.

Missing or damaged parts? Contact your original place of purchase.

PARTS BAG



A Crossbar Assembly
x 1



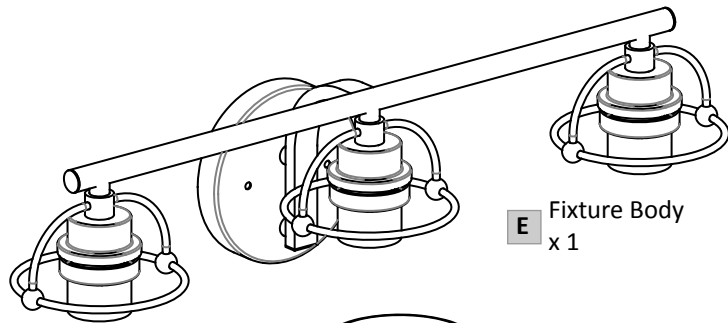
B Alternate Mounting Screw
x 2



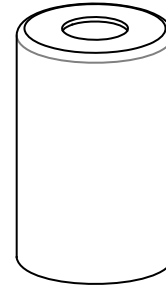
C Outlet Box Screw
x 2



D Wire Connector
x 3



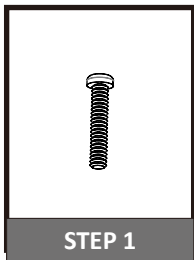
E Fixture Body
x 1



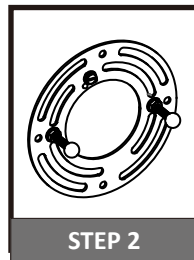
F Glass Shade
x 3

Table of Contents

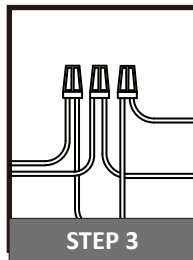
Alternate Mounting Screw



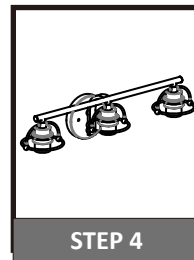
Crossbar Assembly



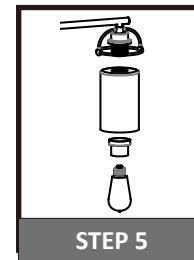
Wiring



Fixture Body

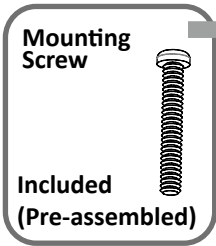


Glass Shade & Bulb

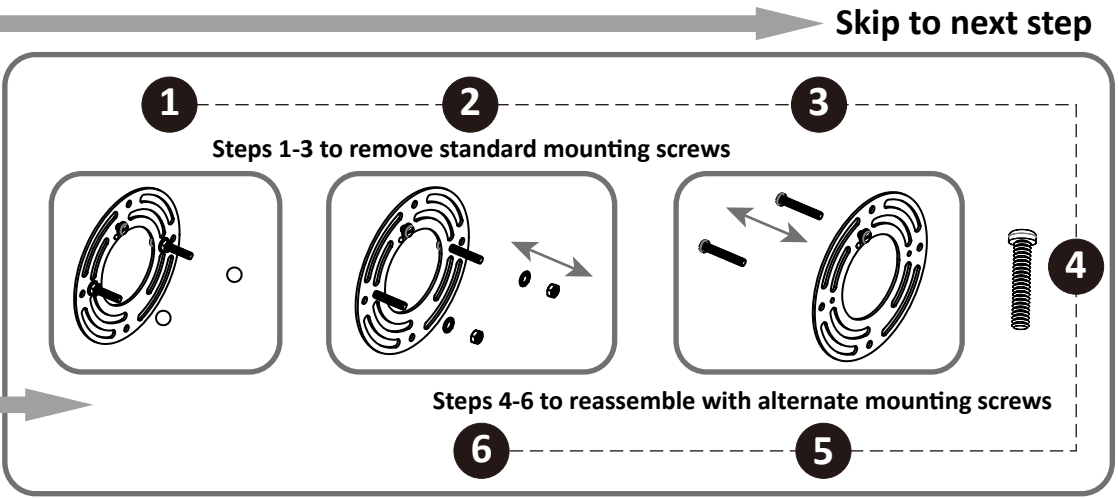


STEP 1

OPTION 1



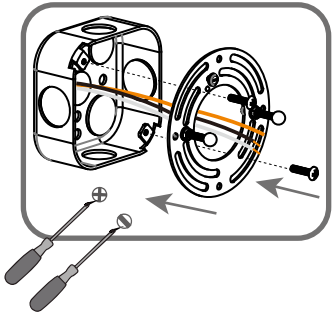
OPTION 2



STEP 2

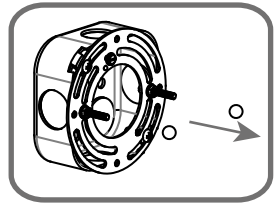
1

Step 1
Install crossbar assembly

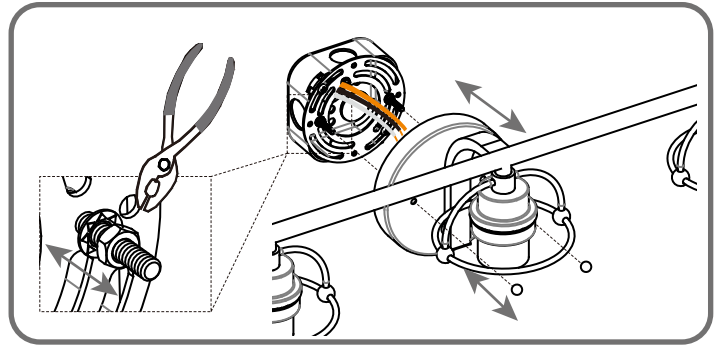


2

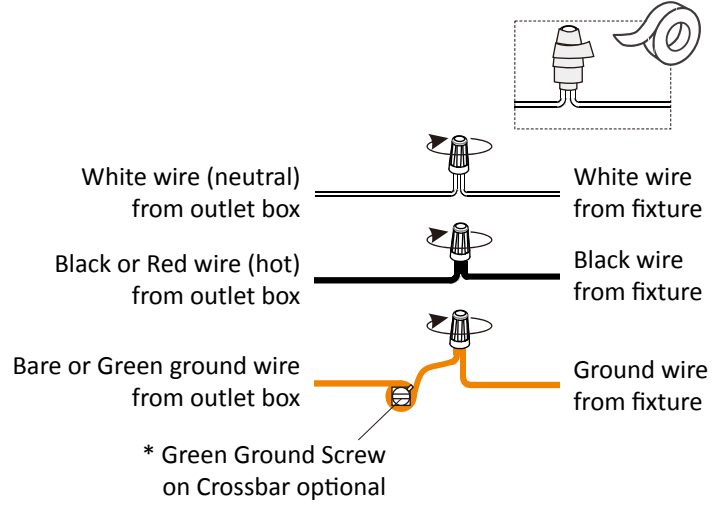
Step 2-3
Tighten backplate to mounting screws



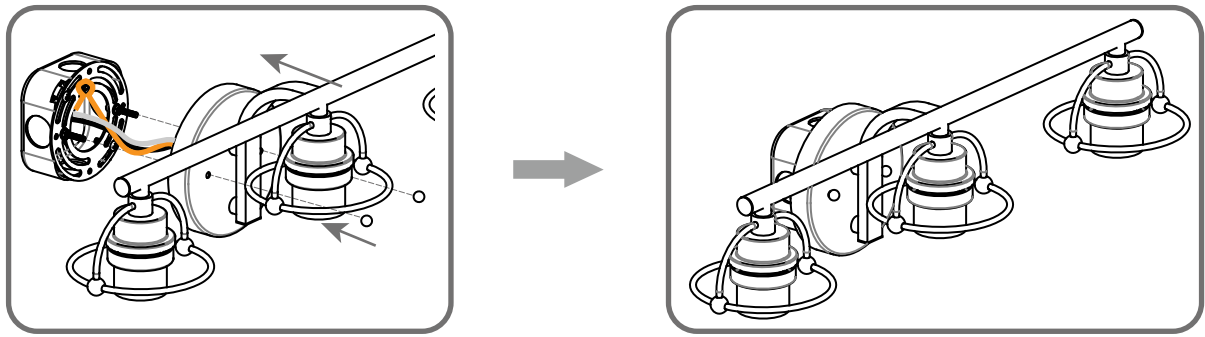
3



STEP 3



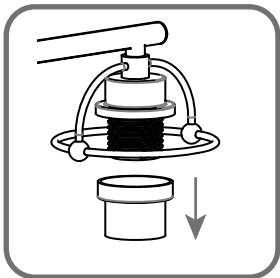
STEP 4



STEP 5

1

Remove socket collar



2

Install glass shade and bulb

