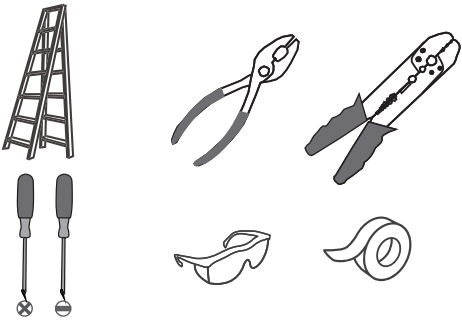
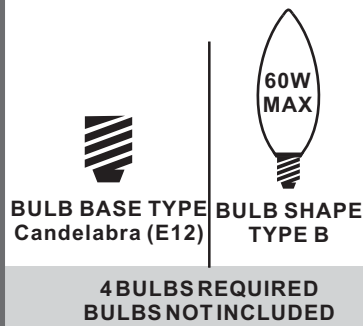


Tools Required



Light Source



Fixture Height Adjustable 21.5" to 57.5"

Warnings and Cautions

Turn off the electricity at the circuit breaker before installation. Consult a licensed electrician if in doubt about installation.

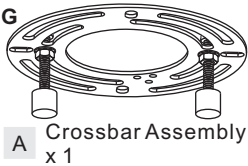
Turn off power to the fixture and allow the bulbs to cool before replacing.

Package Contents

Preparation: Identify and inspect all parts before beginning the installation.

Missing or damaged parts? Contact your original place of purchase.

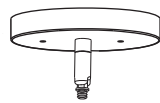
PARTS BAG



B Outlet Box Screw x 2



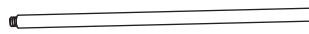
C Wire Connector x 3



D Ceiling Canopy x 1



E 6" L Rod x 2



H 12" L Rod x 2

F Fixture Body x 1

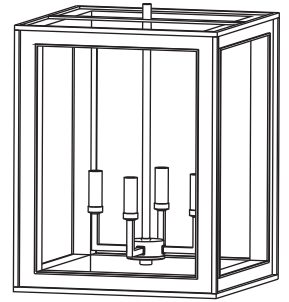
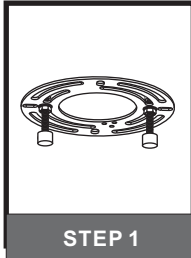


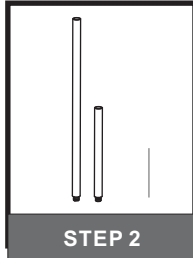
Table of Contents

Crossbar Assembly



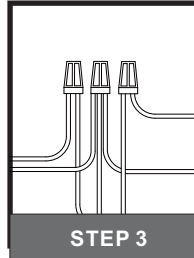
STEP 1

Downrod



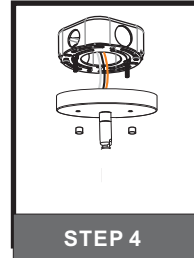
STEP 2

Wiring



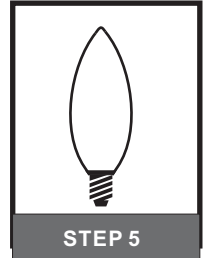
STEP 3

Ceiling Canopy



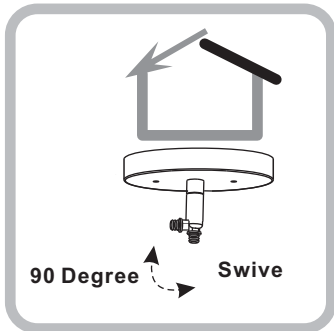
STEP 4

Bulb



STEP 5

STEP 1

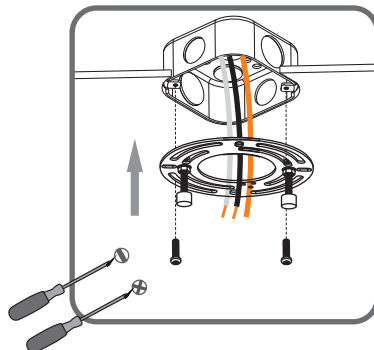


90 Degree Swive

For angled ceilings, Swivel opening towards wall.

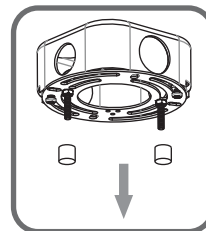
1

Step 1
Install crossbar assembly

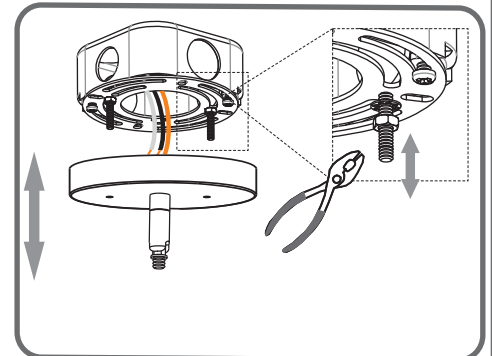


2

Step 2 - 3
Test fitting ceiling canopy to mounting screws



3



STEP 2

Optional Rods

8' ceiling:

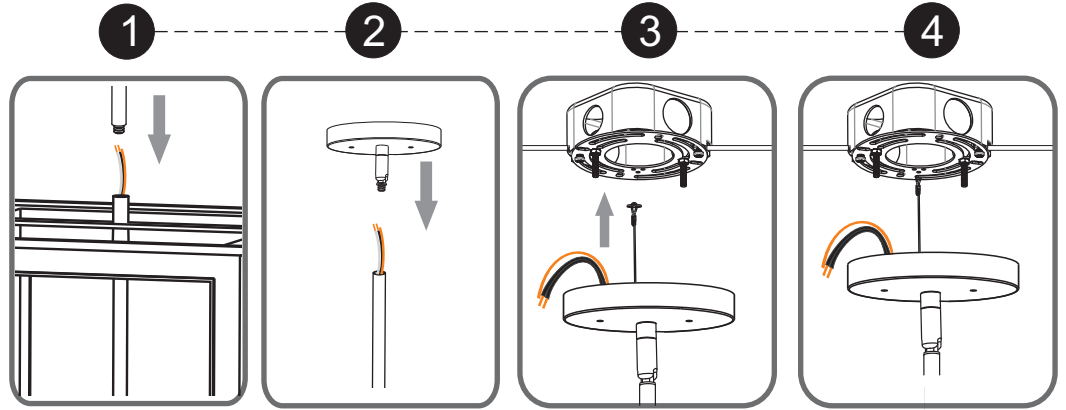
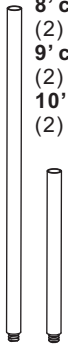
(2) 6"L rods

9' ceiling:

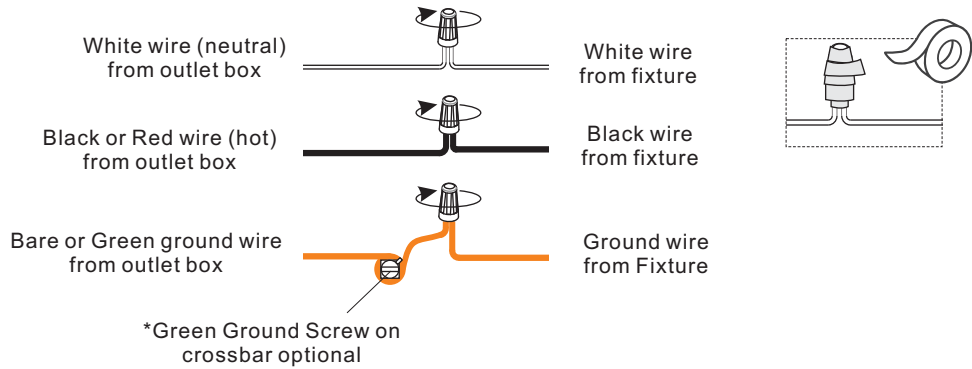
(2) 6"L + (1) 12"L rods

10' ceiling:

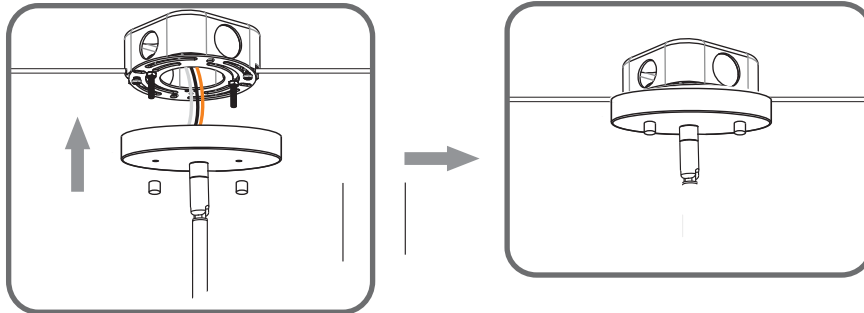
(2) 6"L + (2) 12"L rods



STEP 3



STEP 4



STEP 5

