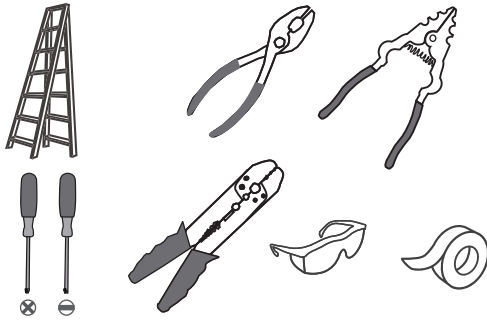
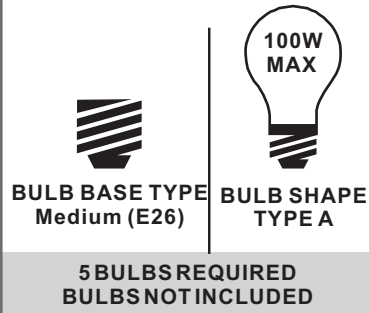


Tools Required



Light Source



**Fixture Height Adjustable
20.5" to 67.5"**

Warnings and Cautions

Turn off the electricity at the circuit breaker before installation. Consult a licensed electrician if in doubt about installation.

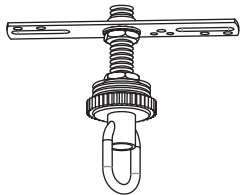
Turn off power to the fixture and allow the bulbs to cool before replacing.

Package Contents

Preparation: Identify and inspect all parts before beginning the installation.

Missing or damaged parts? Contact your original place of purchase.

PARTS BAG



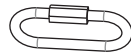
A Crossbar Assembly x 1



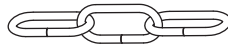
B Outlet Box Screw x 2



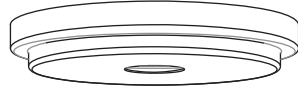
C Wire Connector x 3



D Quick Link x 2



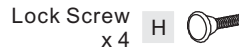
E Fixture Chain x 1



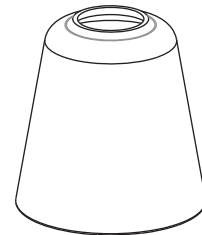
F Ceiling Canopy x 1



G Fixture Loop x 1



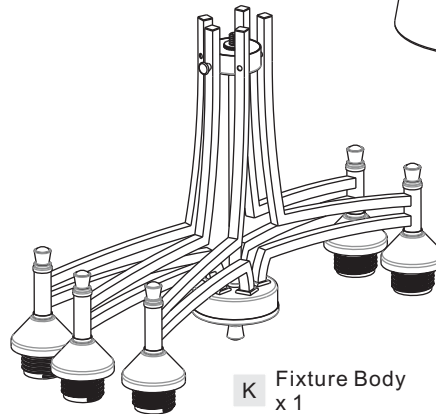
Lock Screw x 4 **H**



I Shade x 5



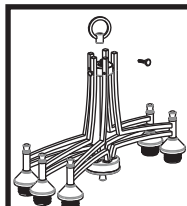
J Socket Collar x 5



K Fixture Body x 1

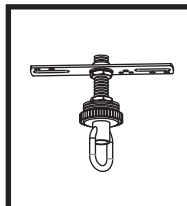
Table of Contents

Unfold arms & Fixture Loop



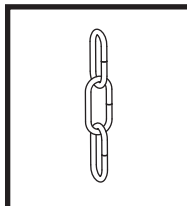
STEP 1

Crossbar Assembly



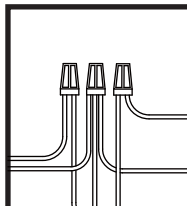
STEP 2

Fixture Chain



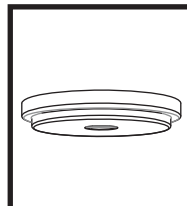
STEP 3

Wiring



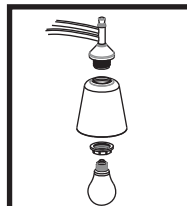
STEP 4

Ceiling Canopy



STEP 5

Shade & Bulb

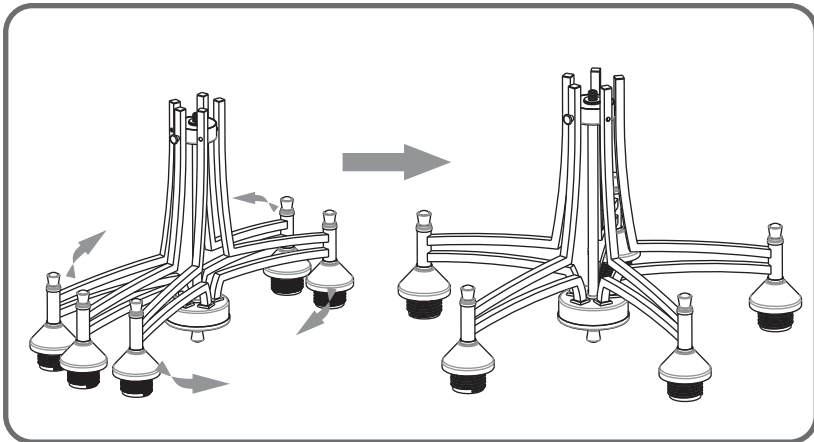


STEP 6

STEP 1

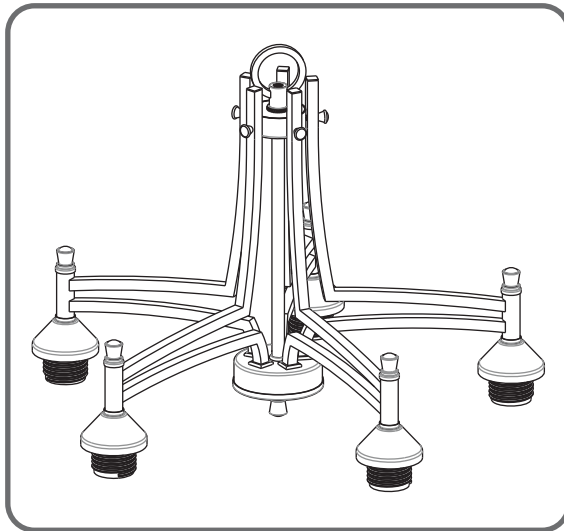
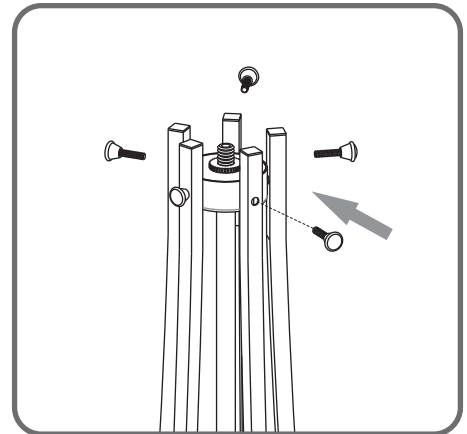
1

Unfold Support Arms



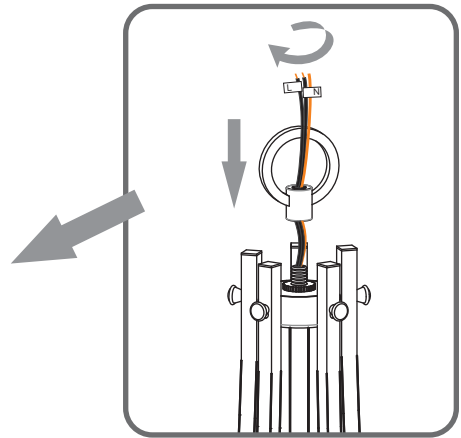
2

Install Lock Screws



3

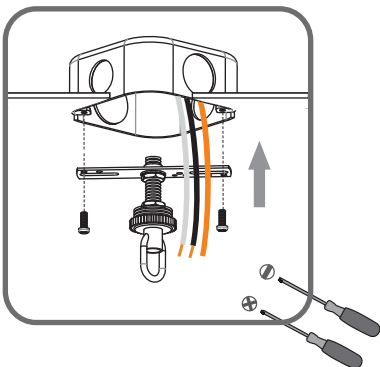
Install Fixture Loop



STEP 2

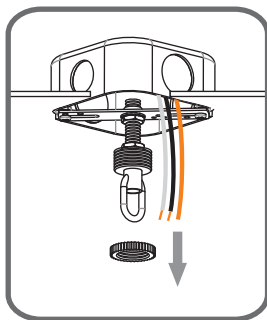
1

Step 1
Install crossbar assembly

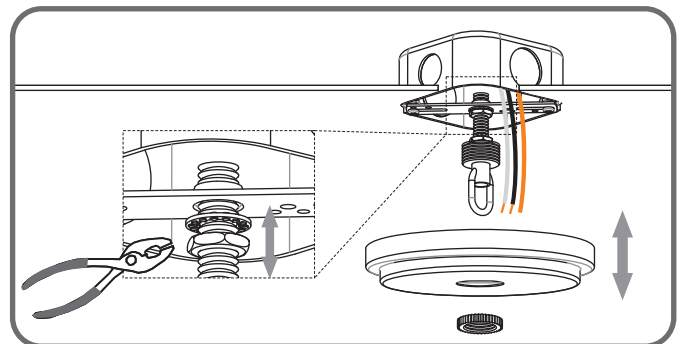


2

Step 2 - 3
Test fitting ceiling canopy to nipple



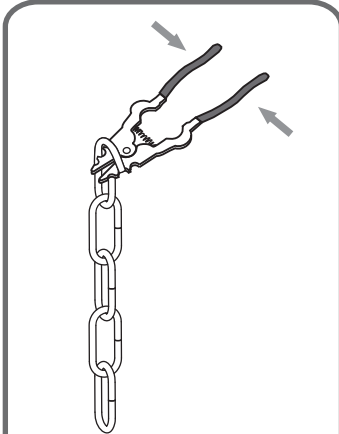
3



STEP 3

1

Step 1
Adjust fixture chain length

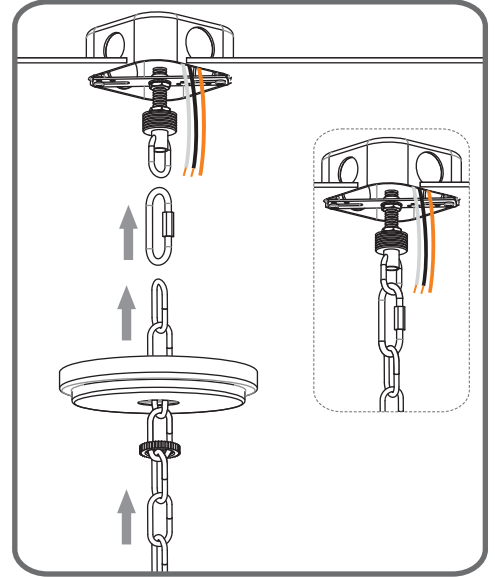
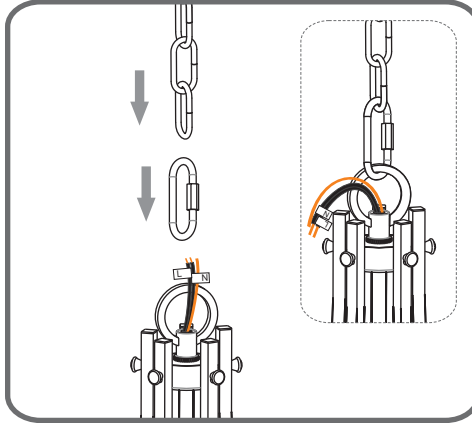


Suggested Chain Length:

- 8' ceiling: 14" Chain
- 9' ceiling: 26" Chain
- 10' ceiling: 38" Chain

2

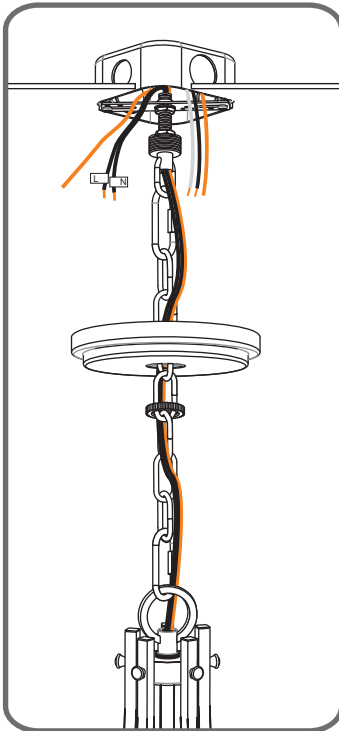
Step 2 - 3
Install Fixture Chain



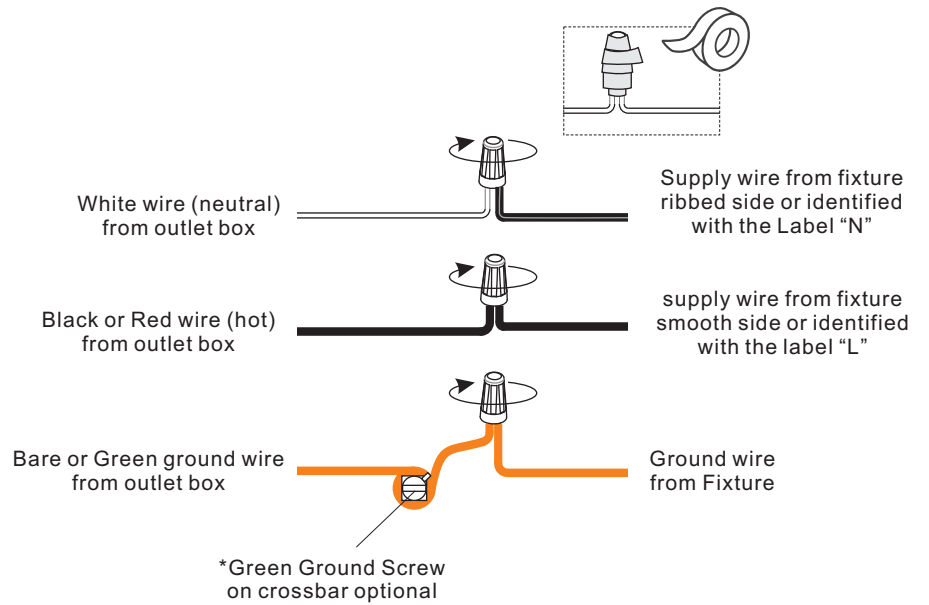
STEP 4

1

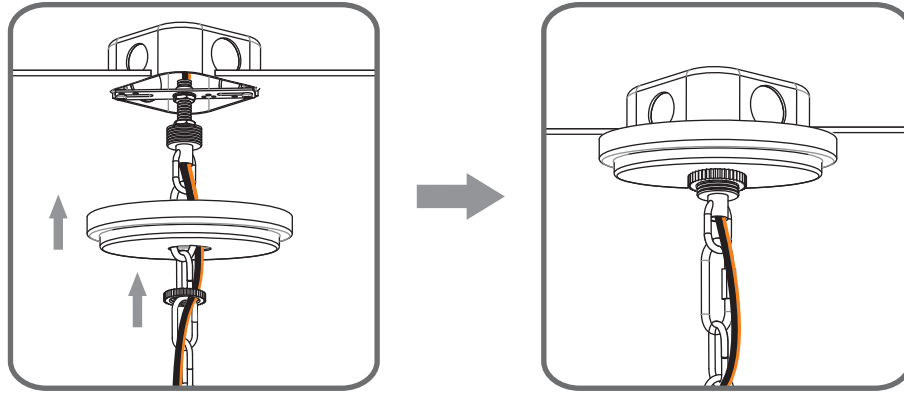
Step 1
Feed the fixture wires
through the loop



2



STEP 5



STEP 6

