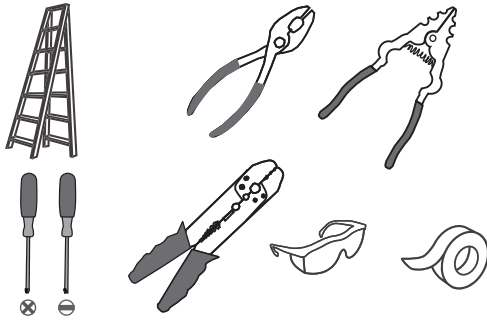
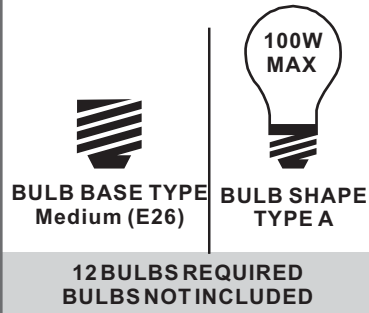


Tools Required



Light Source



**Fixture Height Adjustable
36" to 132"**

Warnings and Cautions

Turn off the electricity at the circuit breaker before installation. Consult a licensed electrician if in doubt about installation.

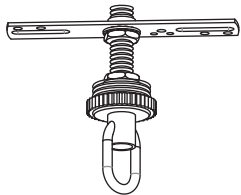
Turn off power to the fixture and allow the bulbs to cool before replacing.

Package Contents

Preparation: Identify and inspect all parts before beginning the installation.

Missing or damaged parts? Contact your original place of purchase.

PARTS BAG



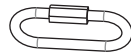
A Crossbar Assembly x 1



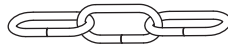
B Outlet Box Screw x 2



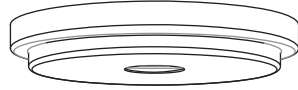
C Wire Connector x 3



D Quick Link x 2



E Fixture Chain x 1



F Ceiling Canopy x 1



G Fixture Loop x 1

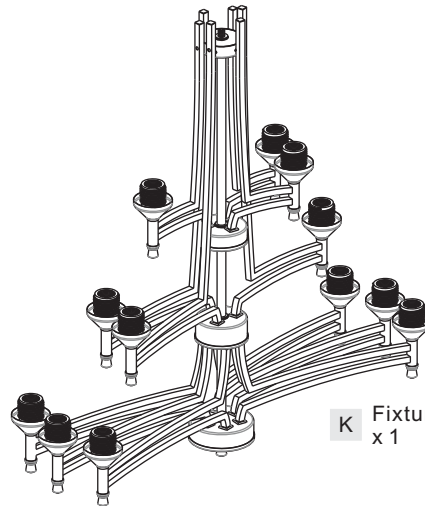
Lock Screw x 6 **H**



I Socket Collar x 12



J Shade x 12



K Fixture Body x 1

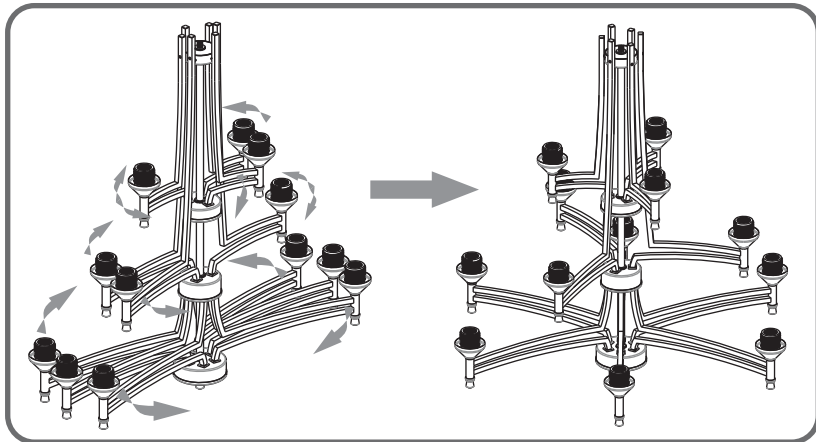
Table of Contents

Unfold arms & Fixture Loop	Crossbar Assembly	Fixture Chain	Wiring	Ceiling Canopy	Shade & Bulb
STEP 1	STEP 2	STEP 3	STEP 4	STEP 5	STEP 6

STEP 1

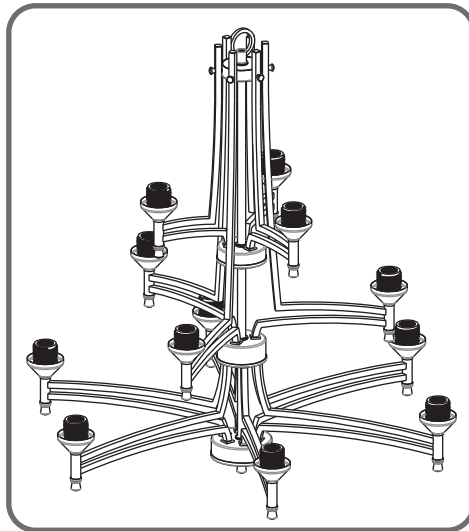
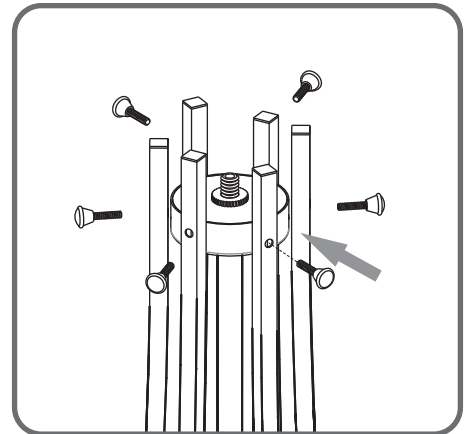
1

Unfold Support Arms



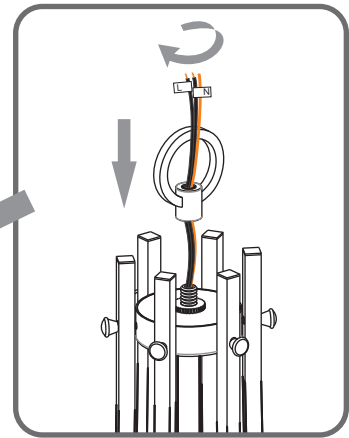
2

Install Lock Screws



3

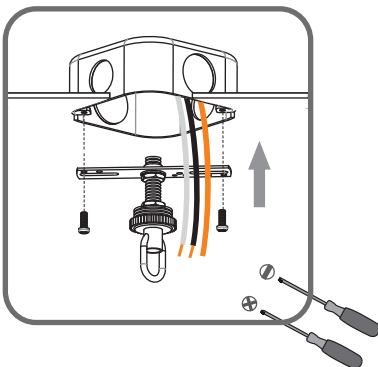
Install Fixture Loop



STEP 2

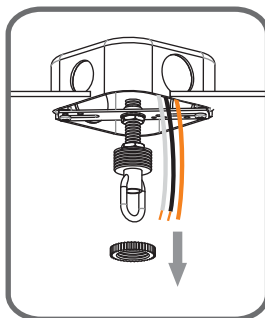
1

Step 1
Install crossbar assembly

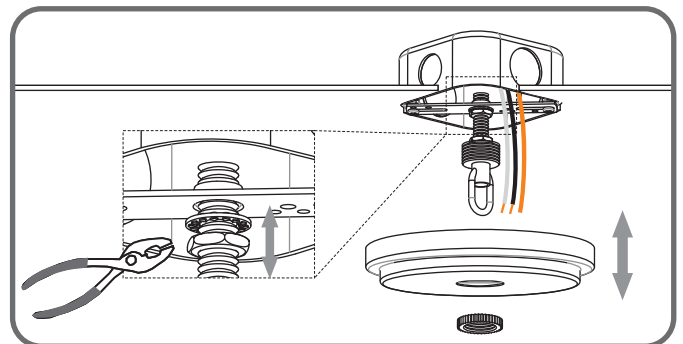


2

Step 2 - 3
Test fitting ceiling canopy to nipple



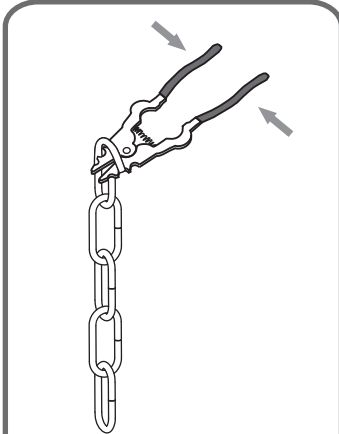
3



STEP 3

1

Step 1
Adjust fixture chain length

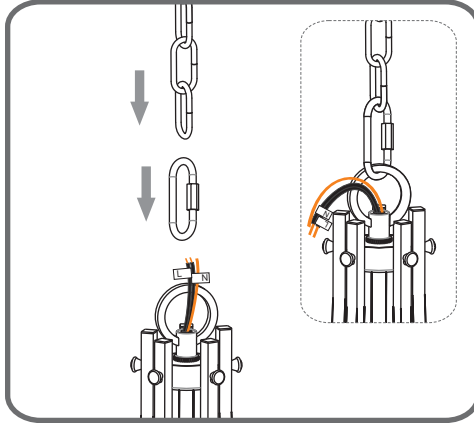


Suggested Chain Length:

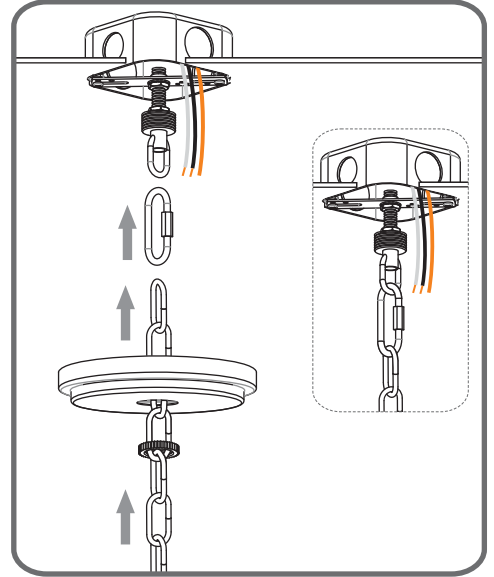
9' ceiling: 10.5" Chain
10' ceiling: 22.5" Chain

2

Step 2 - 3
Install Fixture Chain



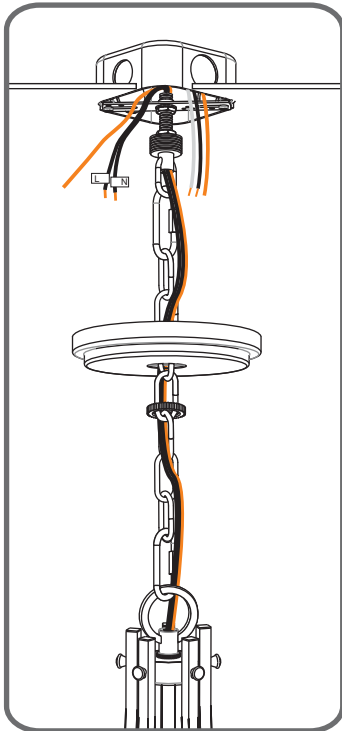
3



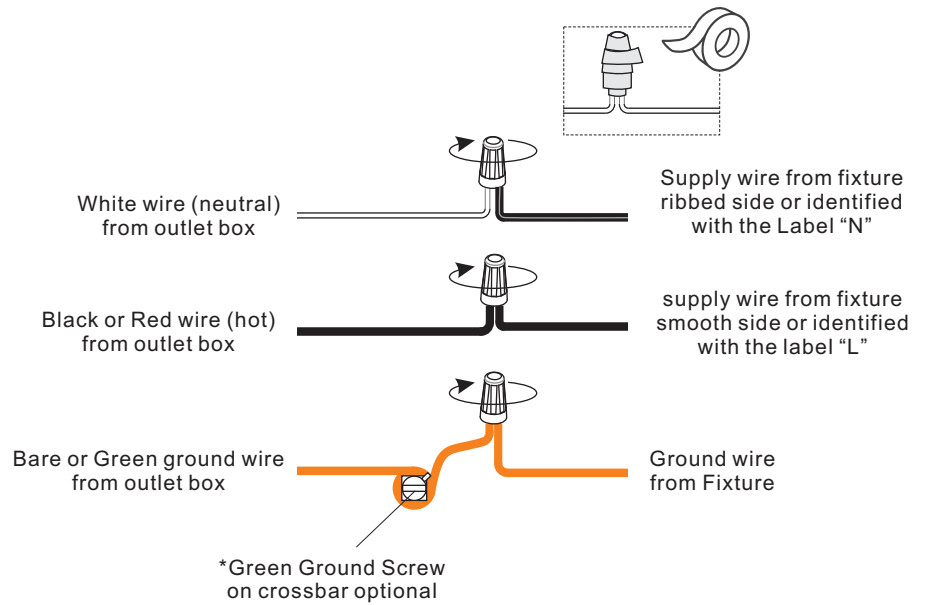
STEP 4

1

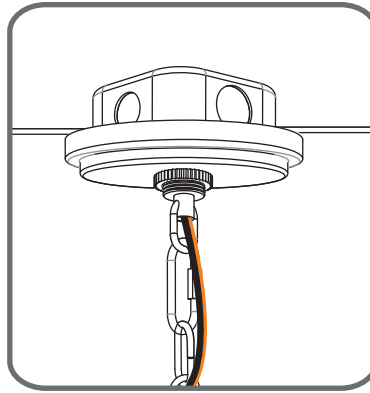
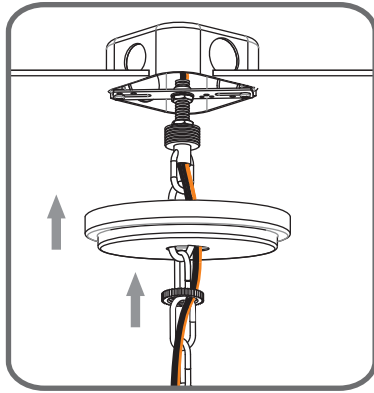
Step 1
Feed the fixture wires through the loop



2



STEP 5



STEP 6

