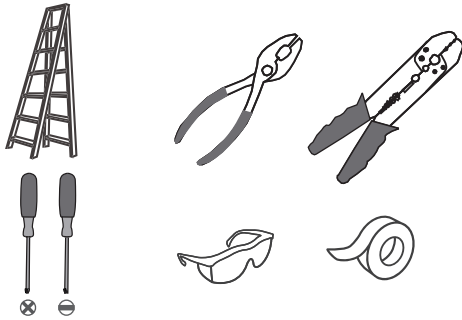
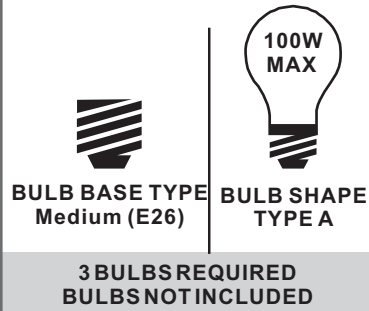


Tools Required



Light Source



**Fixture Height Adjustable
22.25" to 57.5"**

⚠ Warnings and Cautions

Turn off the electricity at the circuit breaker before installation. Consult a licensed electrician if in doubt about installation.

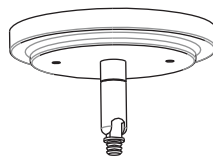
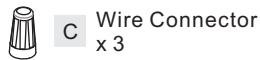
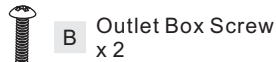
Turn off power to the fixture and allow the bulbs to cool before replacing.

Package Contents

Preparation: Identify and inspect all parts before beginning the installation.

Missing or damaged parts? Contact your original place of purchase.

PARTS BAG



D Ceiling Canopy x 1

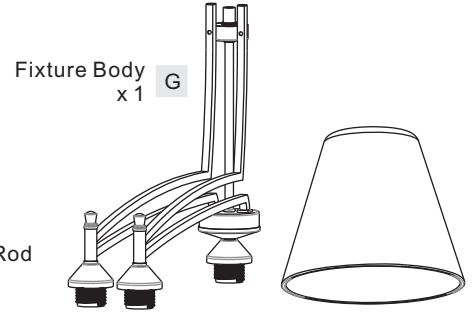
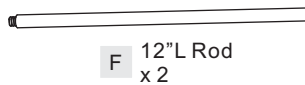


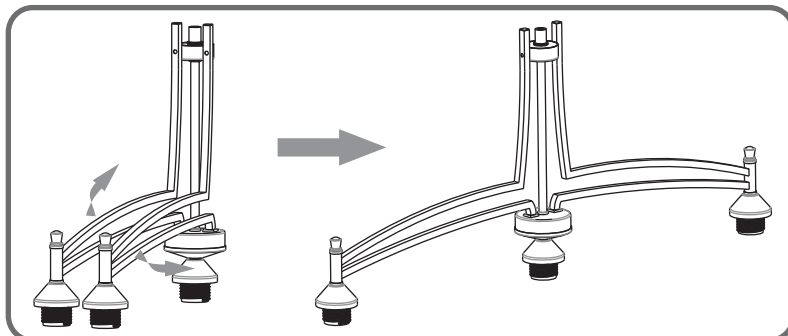
Table of Contents

Unfold arms	Crossbar Assembly	Downrod	Wiring	Ceiling Canopy	Shade&Bulb
STEP 1	STEP 2	STEP 3	STEP 4	STEP 5	STEP 6

STEP 1

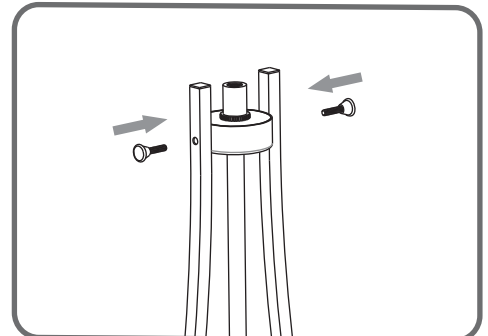
1

Unfold support arms



2

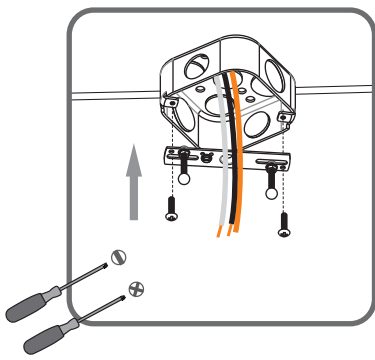
Install lock screws



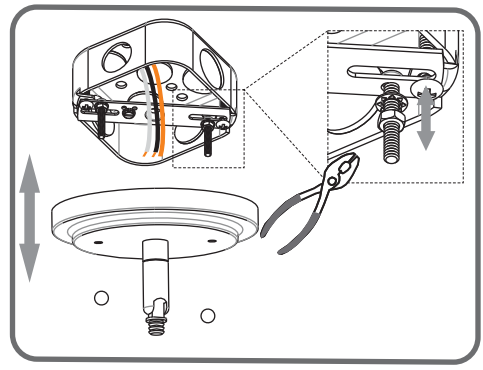
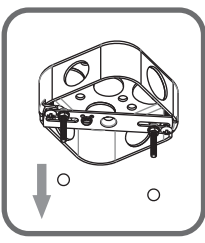
STEP 2



Step 1
Install crossbar assembly



Step 2 - 3
Test fitting ceiling canopy to mounting screws



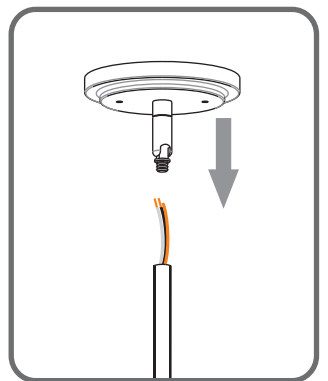
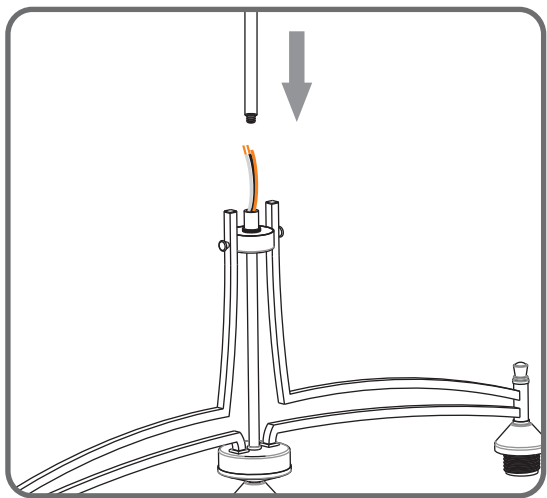
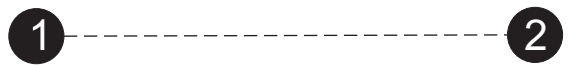
STEP 3

Optional Rods

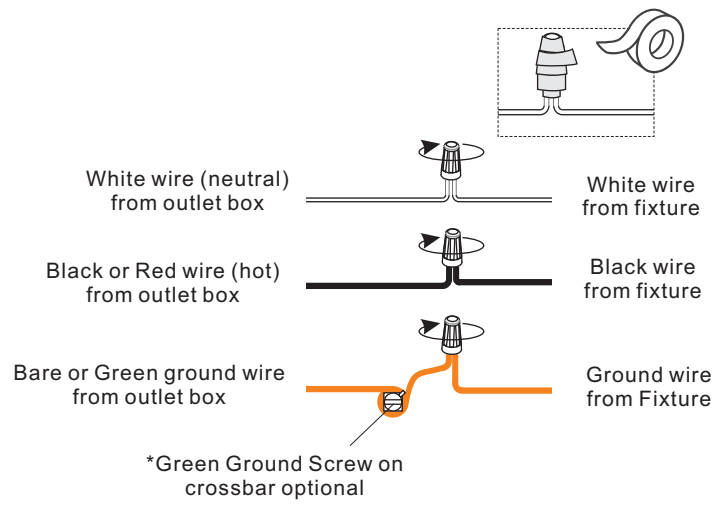
8' ceiling:
(1) 12" L rod

9' ceiling:
(2) 6" L + (1) 12" L rod

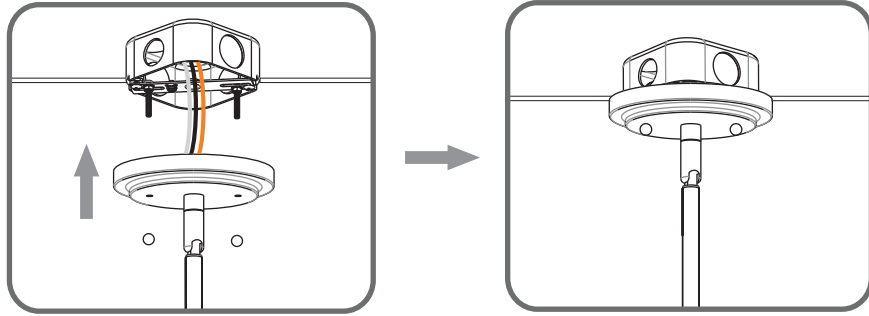
10' ceiling:
(2) 6" L + (2) 12" L rods



STEP 4



STEP 5



STEP 6

