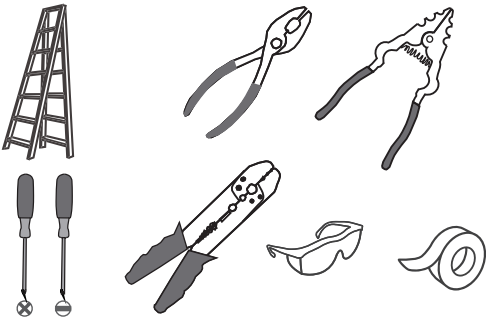
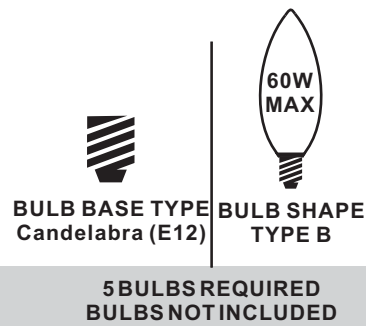


Tools Required



Light Source



Fixture Height Adjustable 27.5" to 76.5"

Warnings and Cautions

Turn off the electricity at the circuit breaker before installation. Consult a licensed electrician if in doubt about installation.

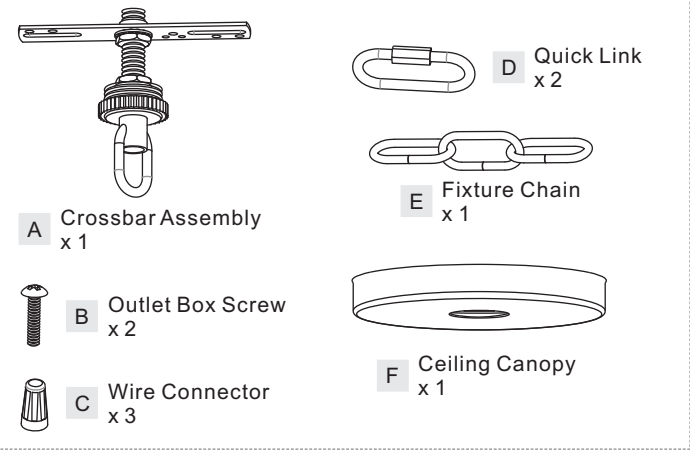
Turn off power to the fixture and allow the bulbs to cool before replacing.

Package Contents

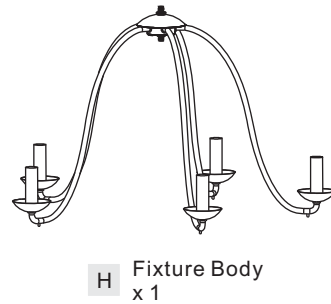
Preparation: Identify and inspect all parts before beginning the installation.

Missing or damaged parts? Contact your original place of purchase.

PARTS BAG



G Fixture Loop x 1



I Rod x 1



K Cup x 1

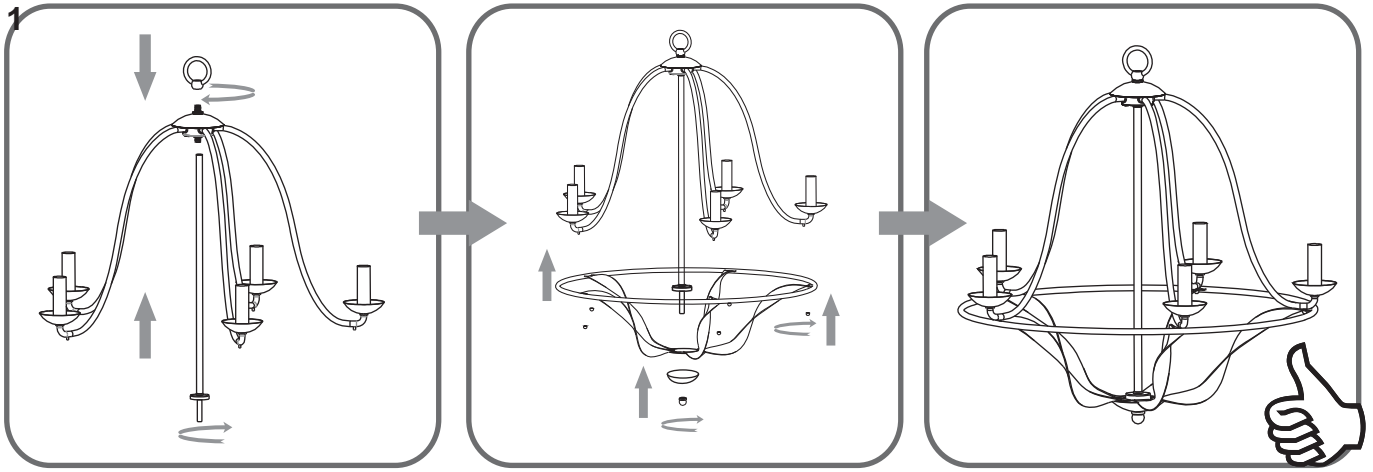
L Finial x 1

M Lock Ball x 5

Table of Contents

Fixture Loop	Crossbar Assembly	Fixture Chain	Wiring	Ceiling Canopy	Bulb
STEP 1	STEP 2	STEP 3	STEP 4	STEP 5	STEP 6

STEP 1



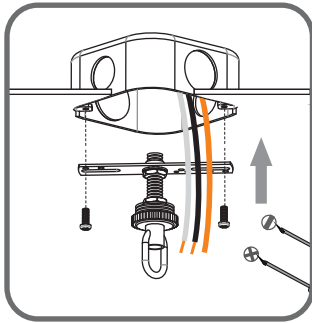
STEP 2

1

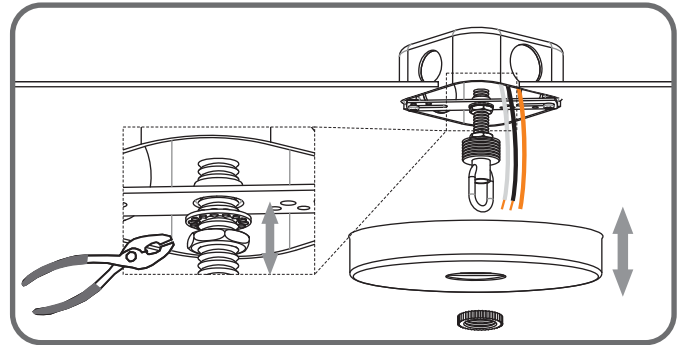
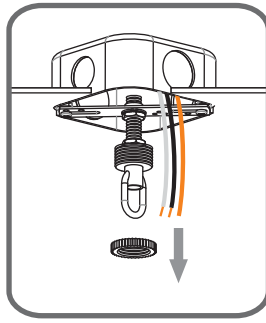
2

3

Step 1
Install crossbar assembly



Step 2 - 3
Test fitting ceiling canopy to nipple



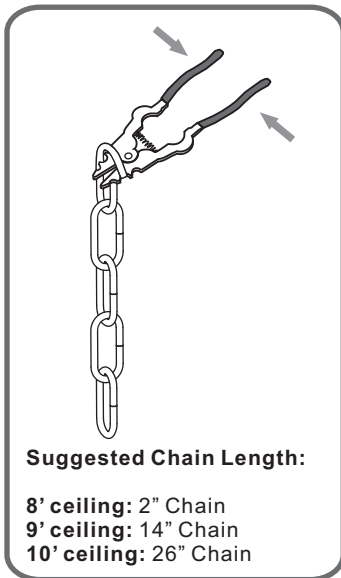
STEP 3

1

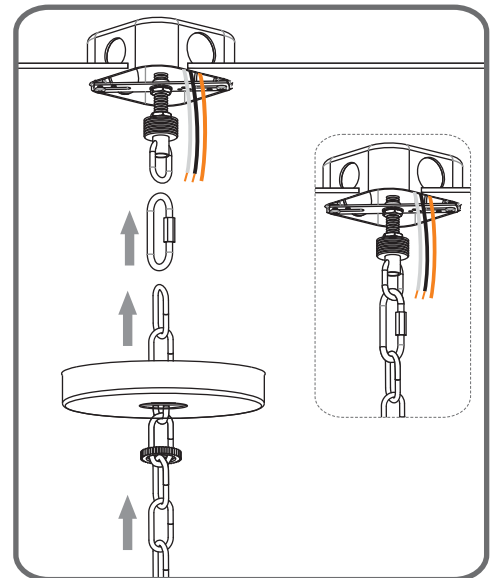
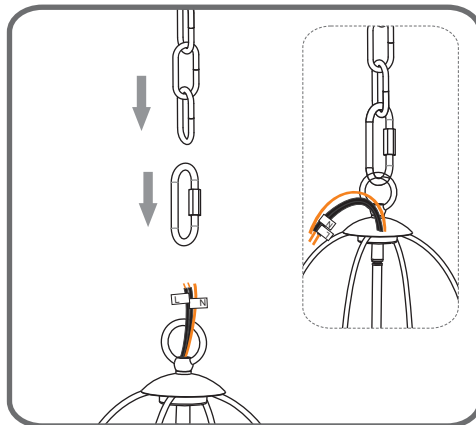
2

3

Step 1
Adjust fixture chain length



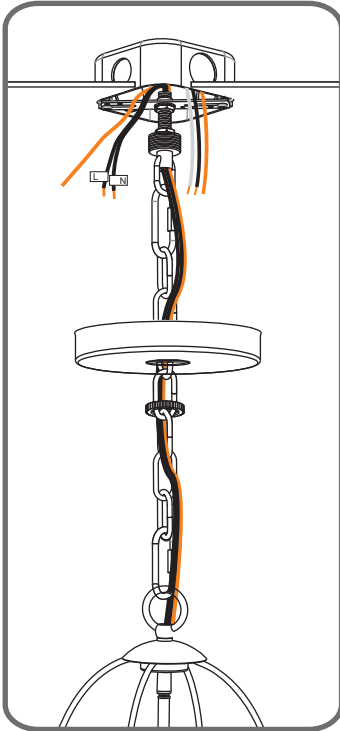
Step 2 - 3
Install Fixture Chain



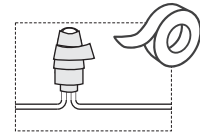
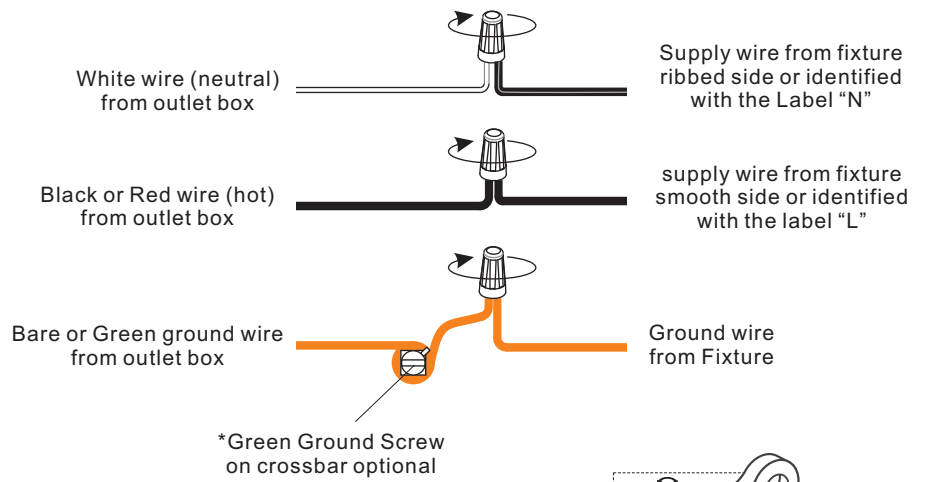
STEP 4

1

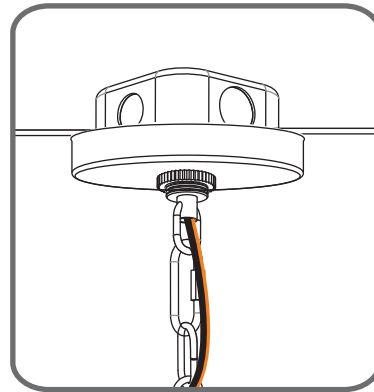
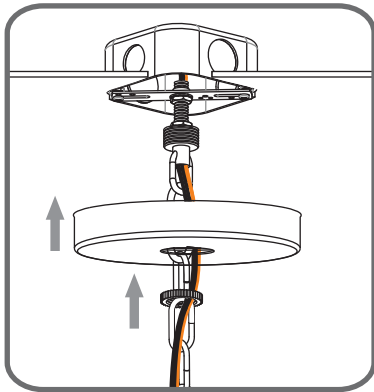
Step 1
Feed the fixture wires
through the loop



2



STEP 5



STEP 6

