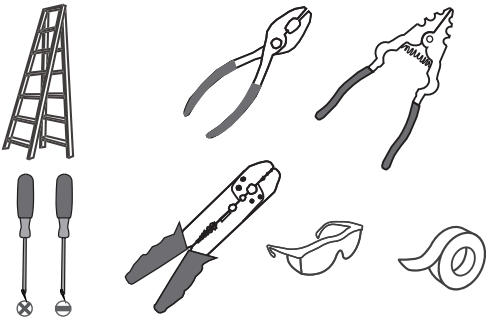
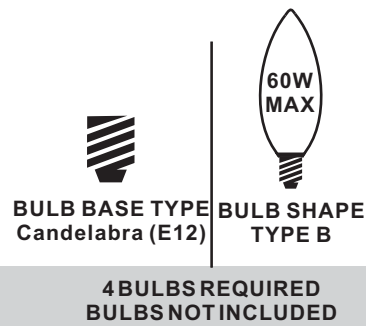


Tools Required



Light Source



Fixture Height Adjustable 23.5" to 72.75"

Warnings and Cautions

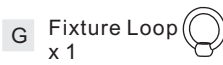
Turn off the electricity at the circuit breaker before installation. Consult a licensed electrician if in doubt about installation.

Turn off power to the fixture and allow the bulbs to cool before replacing.

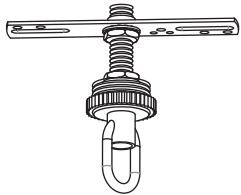
Package Contents

Preparation: Identify and inspect all parts before beginning the installation.

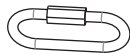
Missing or damaged parts? Contact your original place of purchase.



PARTS BAG



A Crossbar Assembly x 1



D Quick Link x 2



E Fixture Chain x 1



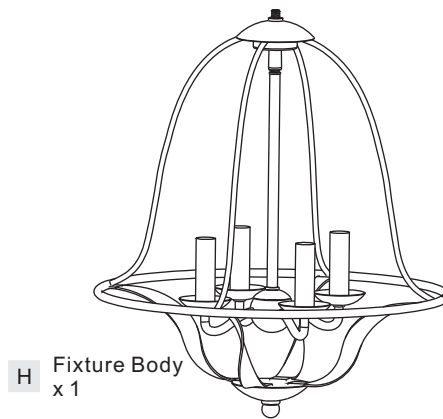
B Outlet Box Screw x 2



F Ceiling Canopy x 1



C Wire Connector x 3

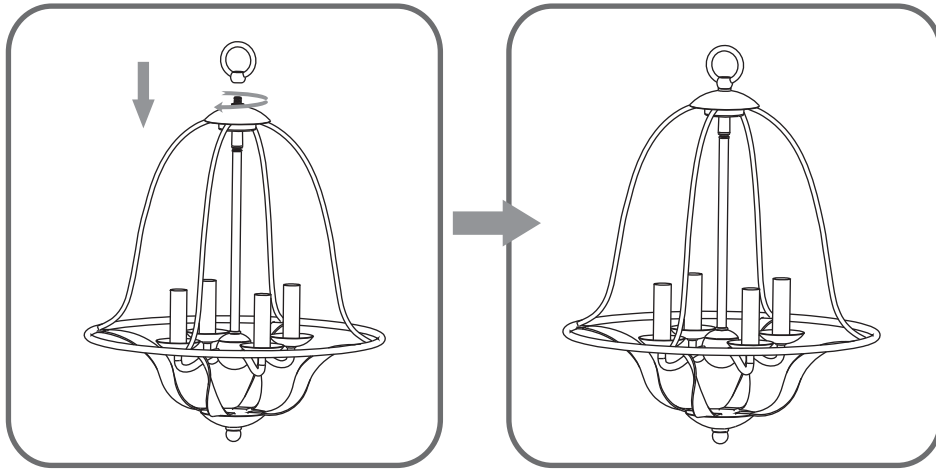


H Fixture Body x 1

Table of Contents

Loop Assembly	Crossbar Assembly	Fixture Chain	Wiring	Ceiling Canopy	Bulb
STEP 1	STEP 2	STEP 3	STEP 4	STEP 5	STEP 6

STEP 1



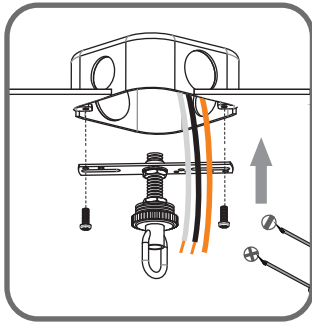
STEP 2

1

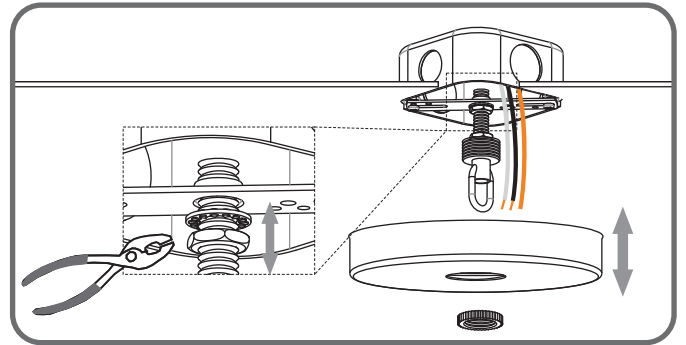
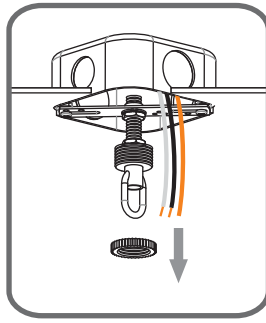
2

3

Step 1
Install crossbar assembly



Step 2 - 3
Test fitting ceiling canopy to nipple



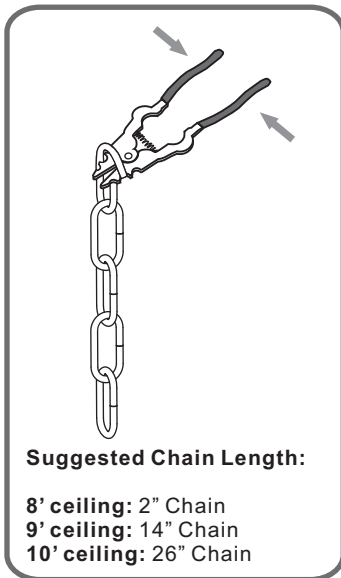
STEP 3

1

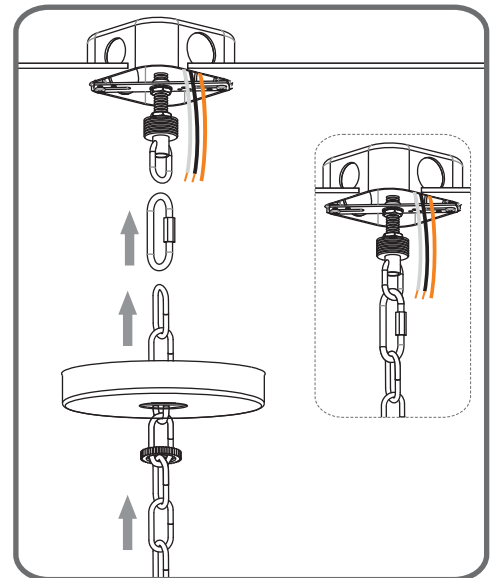
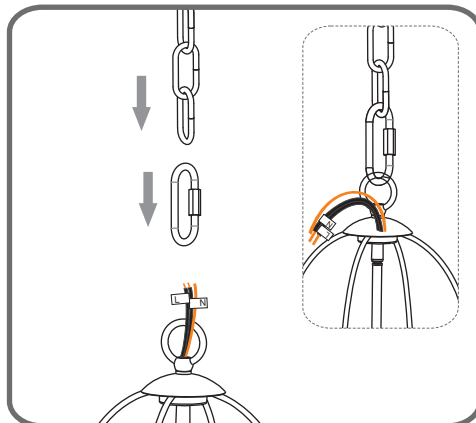
2

3

Step 1
Adjust fixture chain length



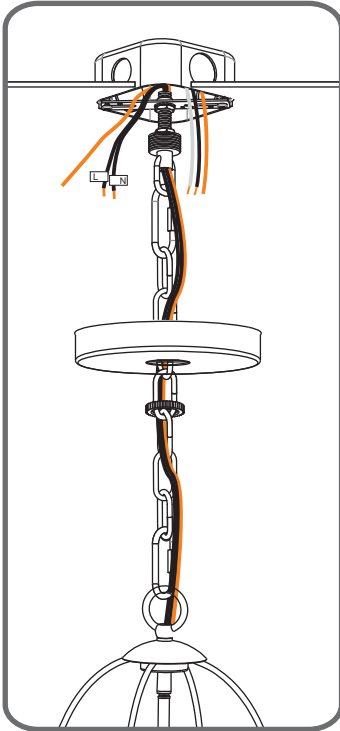
Step 2 - 3
Install Fixture Chain



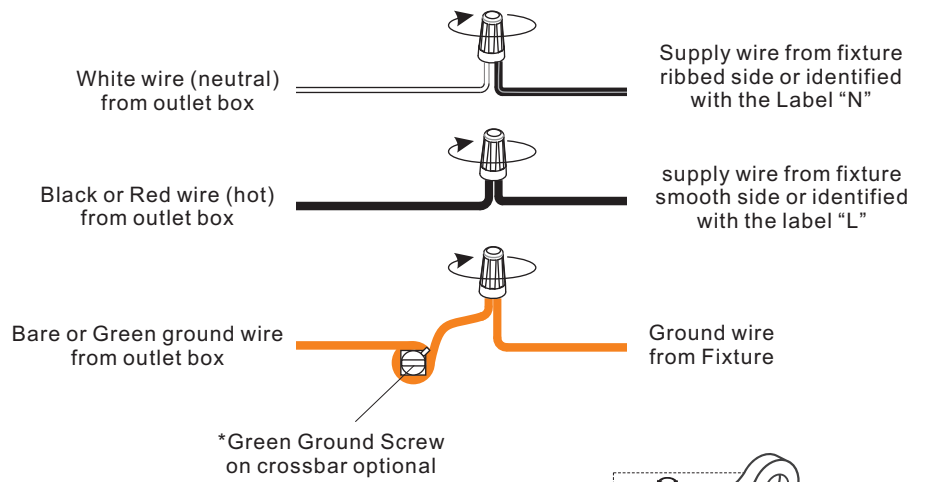
STEP 4

1

Step 1
Feed the fixture wires
through the loop

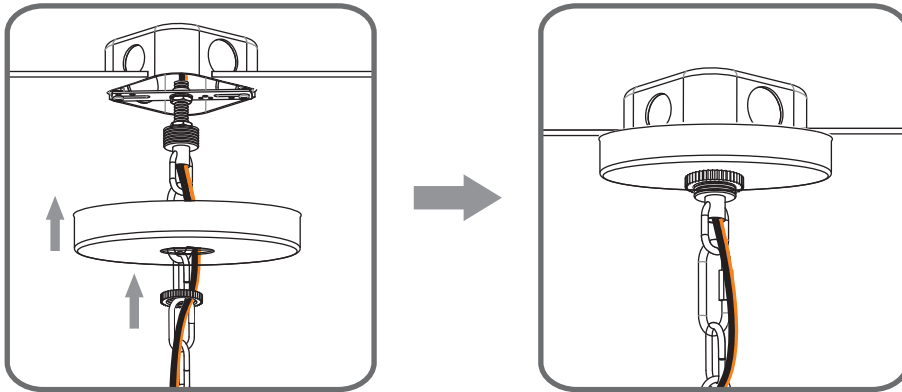


2



*Green Ground Screw
on crossbar optional

STEP 5



STEP 6

