

Please go to www. quozel. com for product cleaning tips. Go to the **Care + Maintenance** selection.

Tools Required: Flathead screwdriver, Phillips screwdriver, pliers, wire cutters, wire strippers, electrical tape, safety glasses.

Light Source: Integrated 11W LED.

Estimated Assembly Time: 20-30 minutes

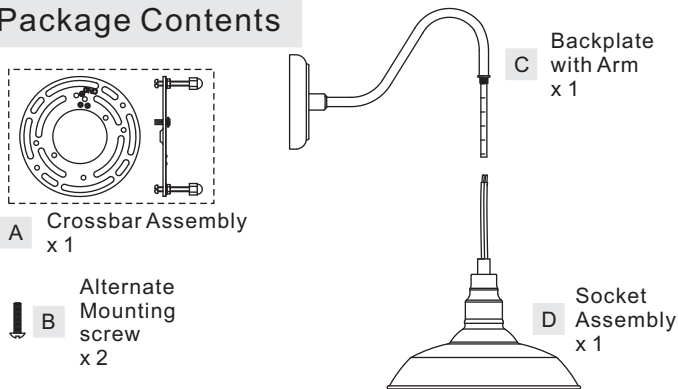
Preparation: Identify and inspect all parts before beginning installation. Check package content list and diagrams below to be sure all parts are present. If any parts are missing or damaged, do not attempt to assemble, install, or operate the fixture. Contact customer service for replacement parts.

⚠ Warnings and Cautions

Turn off electricity at circuit breaker or main fuse box before installation. Consult a licensed electrician if in doubt.

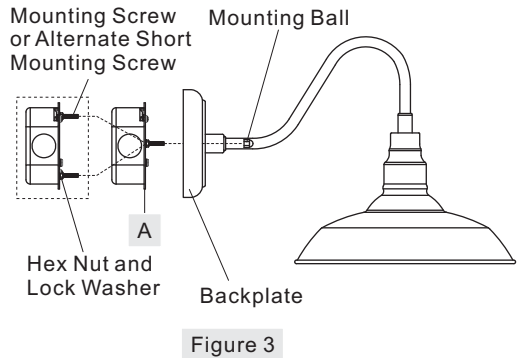
These instructions are provided for your safety. It is very important you read them completely before installing the fixture. We strongly recommend that a licensed, professional electrician perform the installation.

Package Contents



STEP 3 – Test Fit the Backplate to the Crossbar Assembly

A. Remove the mounting balls from the Crossbar Assembly (A). Place the backplate onto the Crossbar Assembly (A) and secure with mounting balls. Note: The backplate should be snug against the wall and held tight with the mounting balls. If it is not, adjust the length of the mounting screw or alternate short mounting screw on the Crossbar Assembly (A) by unscrewing the preassembled hex nut and lock washer and then screwing the mounting screws or alternate short mounting screws in or out of the crossbar until the correct length is achieved. Once the backplate is secure, remove the mounting ball and backplate and proceed to Step 4.



STEP 1 – Attach Socket Assembly to Arm

A. By holding the arm and the sleeve, push the supply wires through the sleeve and exit through the backplate. Thread Socket Assembly (D) onto the arm. As you assemble the parts together to remove the excess cord between parts.
B. Pull out sleeve from backplate and discard it.

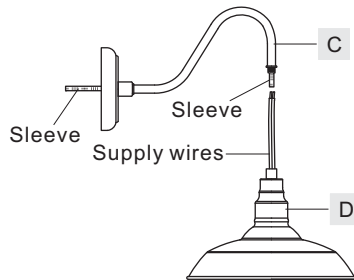


Figure 1

STEP 2 – Installing the Crossbar Assembly

A. Pass the supply wires through the Crossbar Assembly (A). Attach the Crossbar Assembly (A) to the Outlet Box with the head of the Green Ground Screw facing you. Secure the Crossbar Assembly (A) with Outlet Box Screws (not included). Tighten until snug.

Note: Use the Alternate Shorter Mounting Screw (B) if your installation requires a shorter mounting screw.

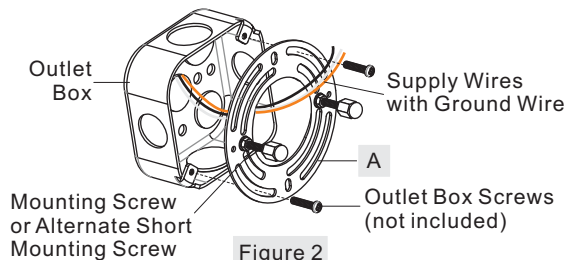


Figure 2

STEP 4 - Wire Connections

A. Wrap bare or green ground wire around green ground screw on the crossbar, no less than 2 inches from the end of the wire. Tighten the green ground screw.
B. Use standard wire connectors (not included) to make all wire connections. Twist connectors until wires are tightly joined together. Wrap each connection with approved electrical tape and carefully stuff all the connected wires into the Outlet Box.

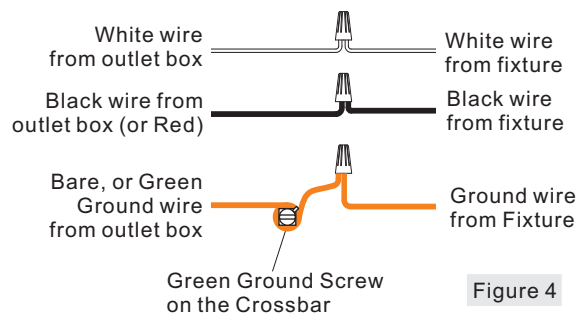


Figure 4

Thank you for purchasing a Quoizel product.
Need assistance with parts or assembly? Call Quoizel customer service at 1-800-645-3184 or visit us on-line at www. quozel. com

STEP 5 - Install the Fixture

A. Position the backplate and fixture onto the Crossbar Assembly (A). Place the holes in the backplate over the mounting screws or alternate short mounting screws. Secure the fixture by using the mounting balls and hand tighten the mounting balls until snug.

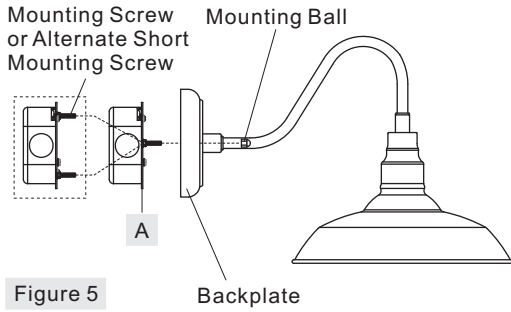


Figure 5

STEP 6 - Install Fixture

A. Make sure exterior wall surface and fixture backplate are free of dirt before applying caulk. Using exterior grade caulk, start on one side of fixture backplate and follow contour, where the fixture backplate meets the exterior wall surface upward. Proceed to caulk over top of backplate and down other side. Do not caulk bottom of fixture backplate to ensure proper moisture drainage.

Your fixture is now assembled and ready to use. Enjoy!

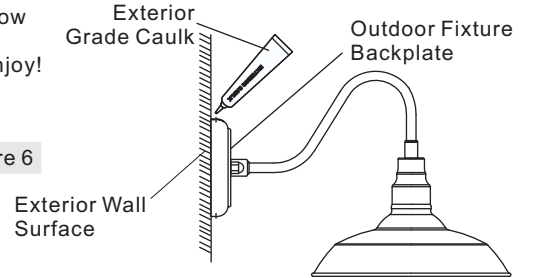
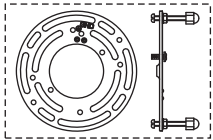


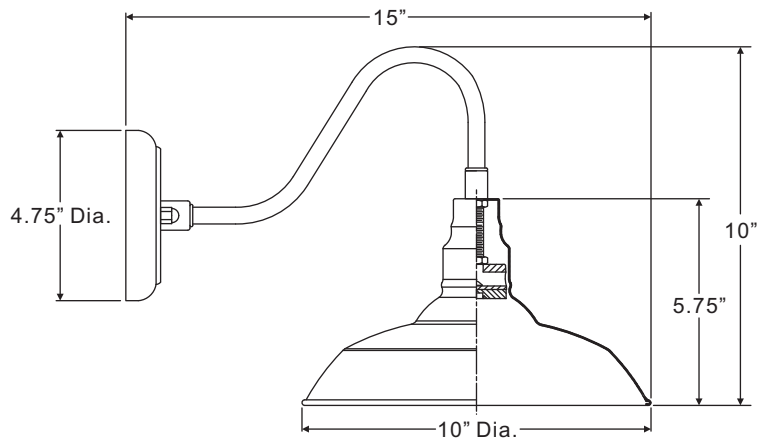
Figure 6

BCE8410GV

FINISH: GALVANIZED



↑
Fixture can only be mounted in the direction indicated



NOTE: ALL DIMENSIONS ARE ROUNDED UP TO THE NEAREST 1/4"

Thank you for purchasing a Quoizel product.
Need assistance with parts or assembly? Call Quoizel customer service at 1-800-645-3184
or visit us on-line at www.quoise.com