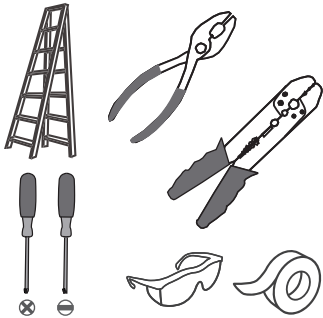
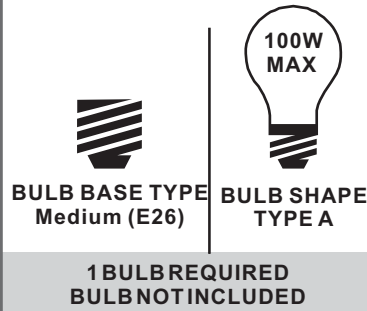


Tools Required



Light Source



Warnings and Cautions

Turn off the electricity at the circuit breaker before installation. Consult a licensed electrician if in doubt about installation.

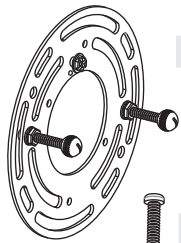
Turn off power to the fixture and allow the bulbs to cool before replacing.

Package Contents

Preparation: Identify and inspect all parts before beginning the installation.

Missing or damaged parts? Contact your original place of purchase.

PARTS BAG



A Crossbar Assembly x 1

B Alternate Mounting Screw x 2



C Outlet Box Screw x 2



D Wire Connector x 3

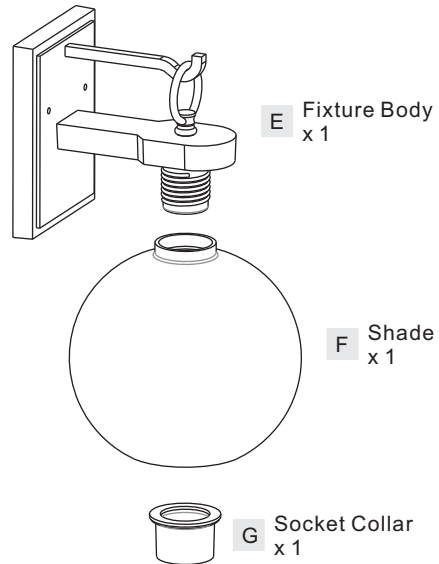
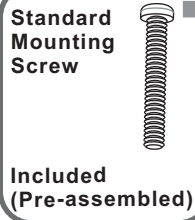


Table of Contents

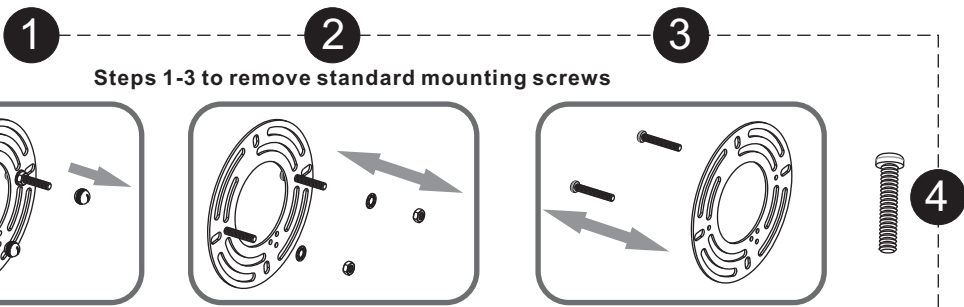
Alternate Mounting Screw	Crossbar Assembly	Wiring	Fixture Body	Shade & Bulb	Caulk
STEP 1	STEP 2	STEP 3	STEP 4	STEP 5	STEP 6

STEP 1

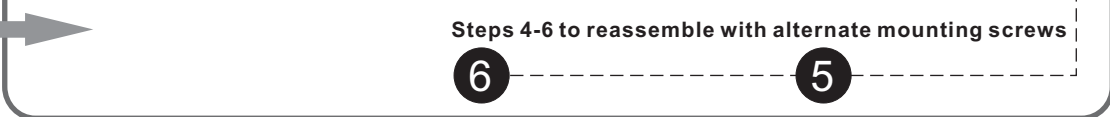
OPTION 1



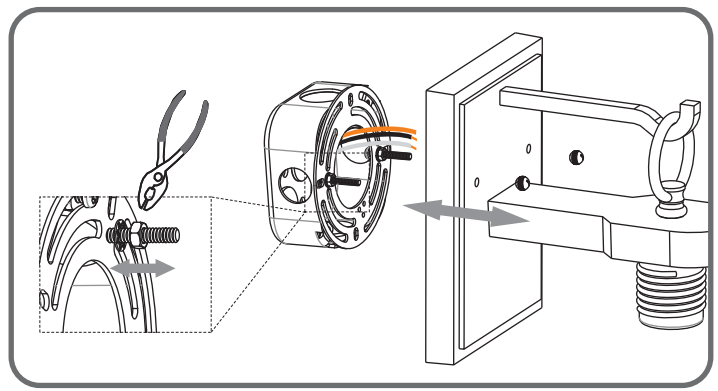
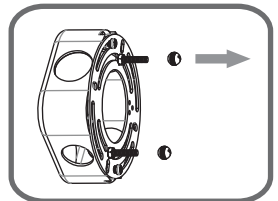
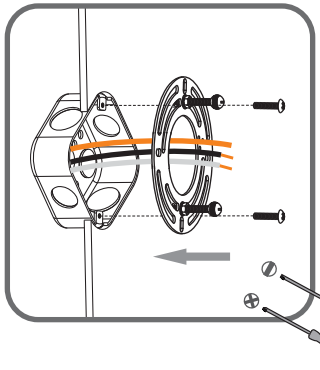
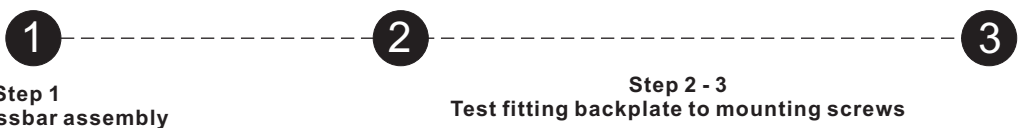
skip to next page



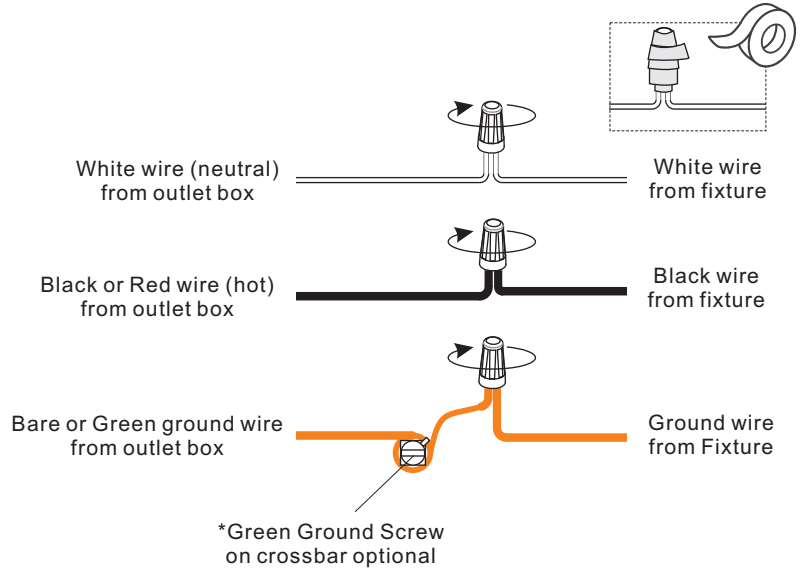
OPTION 2



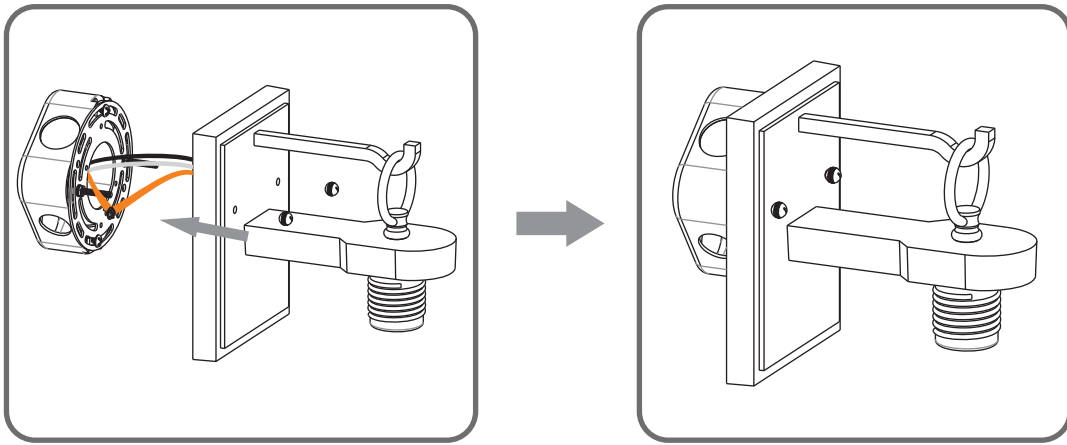
STEP 2



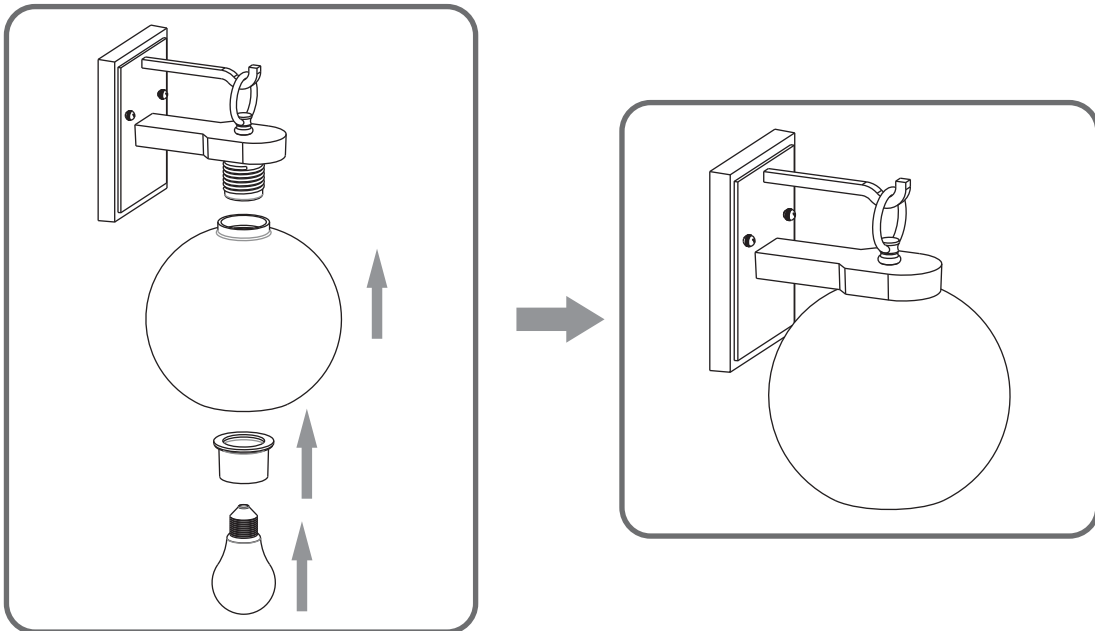
STEP 3



STEP 4



STEP 5



STEP 6

