

**SAFETY INFORMATION**

Please read and understand this entire manual before attempting to assemble, install or operate the product.

**WARNING**

- RISK OF ELECTRIC SHOCK - Before beginning installation, turn off electricity at the circuit breaker box or the main fuse box.
- RISK OF FIRE - Use bulbs specified by the markings and/or labels on the fixture.

**CAUTION**

- For your safety, read instructions completely before beginning installation.
- If in doubt about electrical installation, consult a licensed electrician.
- Turn off electricity to fixture before replacing the bulb(s).

**TOOLS REQUIRED**

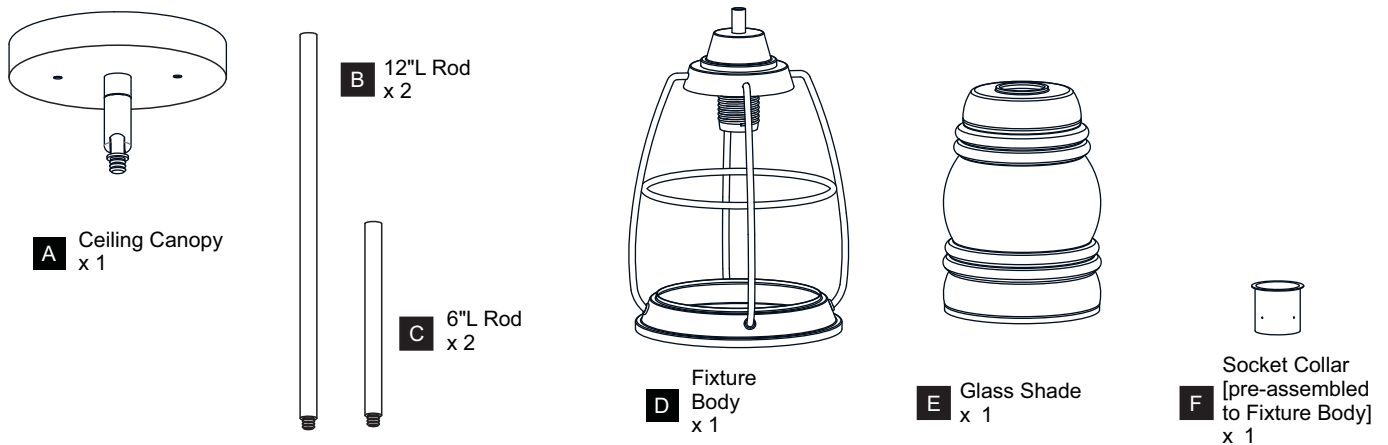


**CARE AND MAINTENANCE**

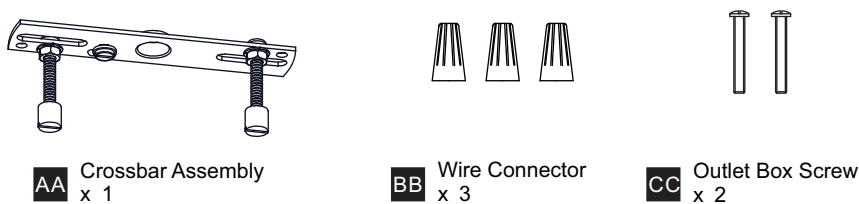
- Wipe clean using soft, dry cloth or static duster. Always avoid using harsh chemicals and abrasives to clean fixture as they may damage the finish.

If you need further assistance call Quozel Customer Care at 1-800-645-3184 (9:00am - 5:00pm EST), or visit us on-line at [www.quezel.com](http://www.quezel.com).

**PACKAGE CONTENTS**



**MOUNTING HARDWARE**

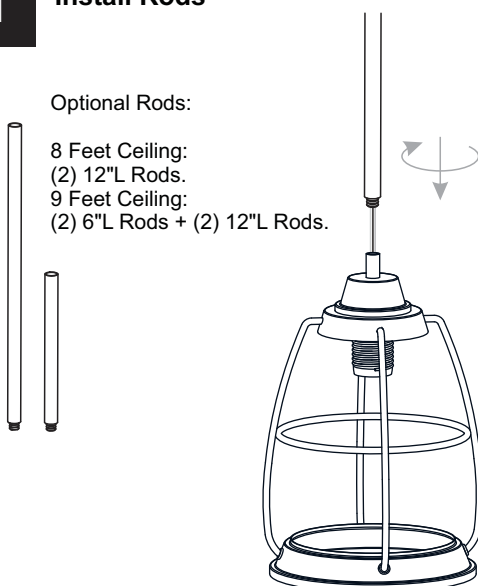


# INSTALLATION

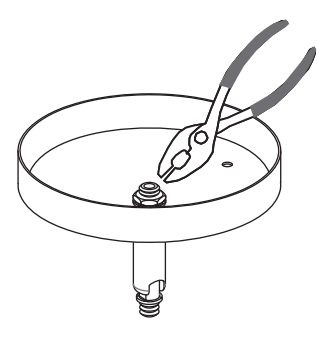
## OPTION 1: PENDANT AMR1508MB

### 1 Install Rods

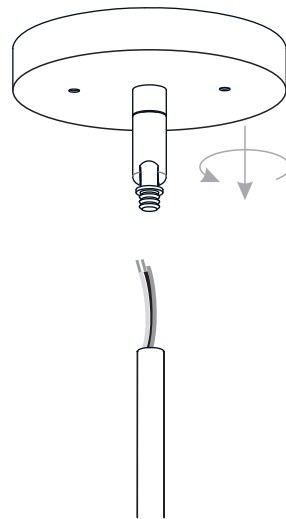
Optional Rods:  
8 Feet Ceiling:  
(2) 12"L Rods.  
9 Feet Ceiling:  
(2) 6"L Rods + (2) 12"L Rods.



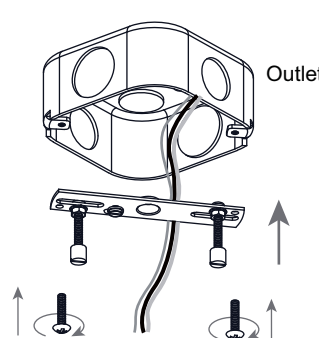
### 2 Tighten hex nut inside of the ceiling canopy



### 3 Install Ceiling Canopy to Upper Rod

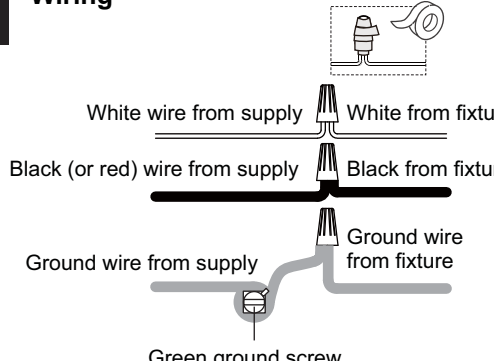


### 4 Install Crossbar Assembly



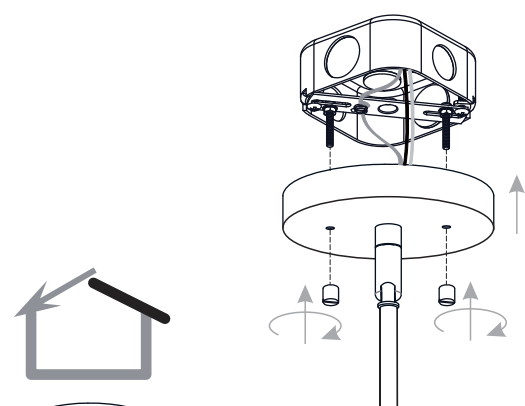
Outlet Box

### 5 Wiring



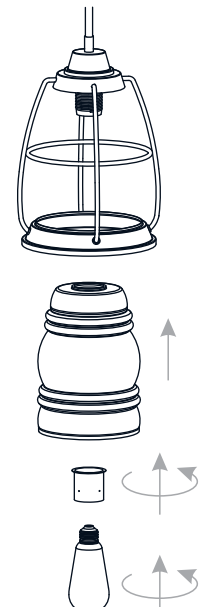
White wire from supply      White from fixture  
Black (or red) wire from supply      Black from fixture  
Ground wire from supply      Ground wire from fixture  
Green ground screw

### 6 Install Ceiling Canopy to Crossbar Assembly





90Degree Swivel  
For angled ceilings,  
Swivel opening towards wall.

### 7 Install Glass Shade and Bulb



Install one correct bulb referring to fixture markings and/or labels for maximum wattage.

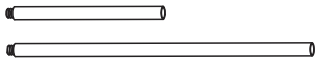
**Recommended Bulb Type (not included):**

 BULB BASE TYPE Medium (E26)	 100W MAX BULB TYPE TYPE A
---	---

# INSTALLATION

## OPTION 2: SEMI-FLUSH AMR1708MB

\* Set aside the (2) 6"L Rods and (2) 12"L Rods since they are not required for the semi-flush installation.



### 1 Remove Swivel

Set aside swivel

### 2 Install Ceiling Canopy

### 3 Install Crossbar Assembly

Outlet Box

### 4 Wiring

White wire from supply      White from fixture

Black (or red) wire from supply      Black from fixture

Ground wire from supply      Ground wire from fixture

Green ground screw

### 5 Install Ceiling Canopy to Crossbar Assembly

### 6 Install Shade and Bulb

Install one correct bulbs referring to fixture markings and/or labels for maximum wattage.

**Recommended Bulb Type (not included):**

 BULB BASE TYPE Medium (E26)	 BULB TYPE TYPE A
------------------------------------	-------------------------

Your installation is now complete! Restore electricity and save this sheet for future reference.