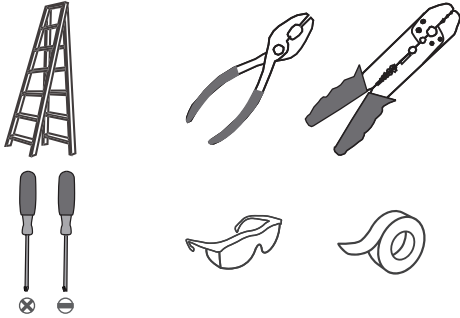
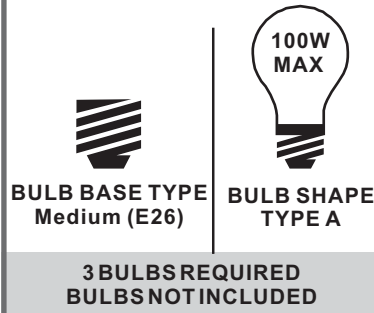


Tools Required



Light Source



Warnings and Cautions

Turn off the electricity at the circuit breaker before installation. Consult a licensed electrician if in doubt about installation.

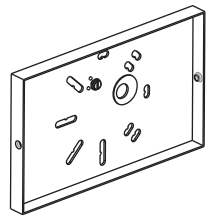
Turn off power to the fixture and allow the bulbs to cool before replacing.

Package Contents

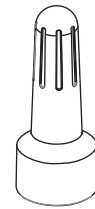
Preparation: Identify and inspect all parts before beginning the installation.

Missing or damaged parts? Contact your original place of purchase.

PARTS BAG



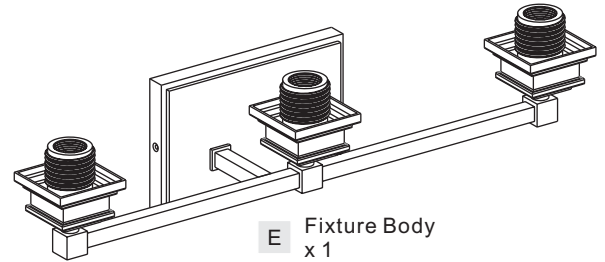
- A** Inner Backplate x 1
- B** Lock Screw x 2
- C** Outlet Box Screw x 2
- D** Wire Connector x 3



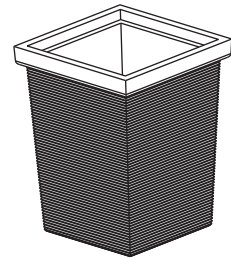
- F** Socket Collar Tool x 1



- G** Socket Collar x 3



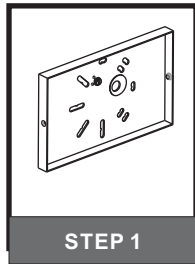
- E** Fixture Body x 1



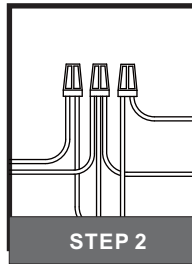
- H** Shade x 3

Table of Contents

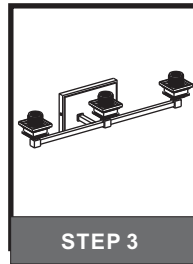
Inner Backplate



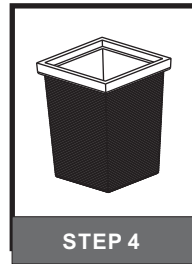
Wiring



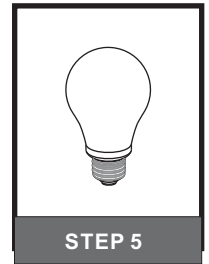
Fixture Body



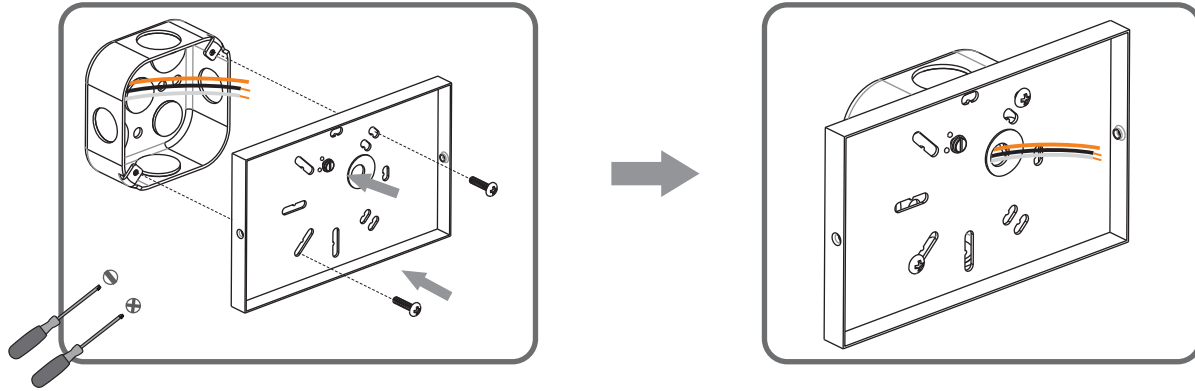
Shade



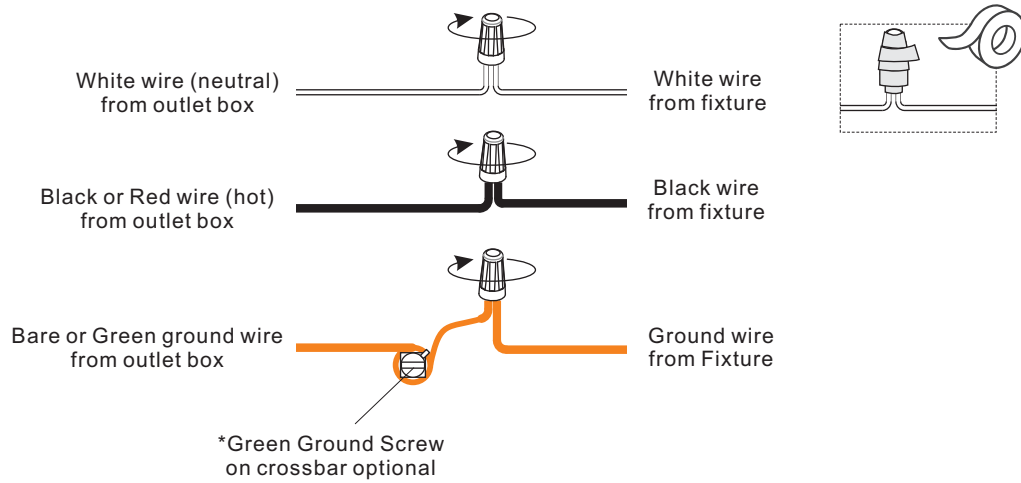
Bulb



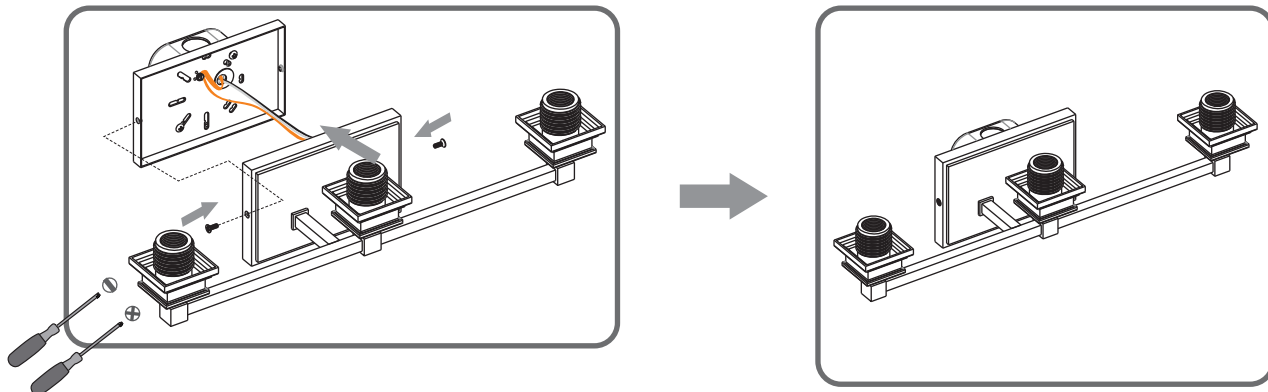
STEP 1



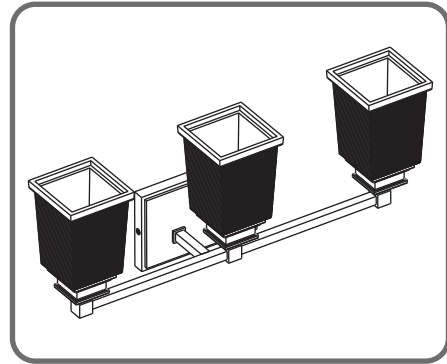
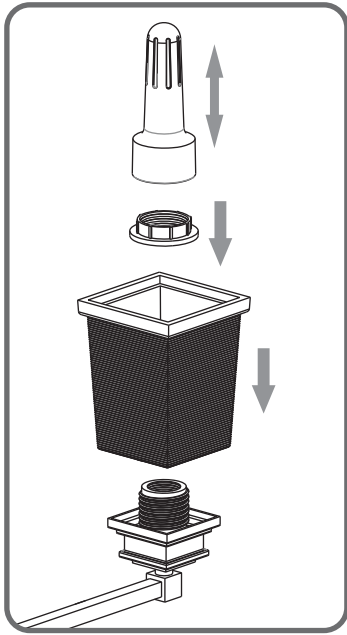
STEP 2



STEP 3



STEP 4



STEP 5

