

Please go to www.quoizel.com for product cleaning tips. Go to the **Care + Maintenance** selection.

Tools Required: Flathead screwdriver, Phillips screwdriver, pliers, wire cutters, wire strippers, electrical tape, safety glasses.

Light Source: (2) A19 Medium Base 60W Maximum, alternate bulbs (2) 13W CFL.

Estimated Assembly Time: 30-45 minutes

Preparation: Identify and inspect all parts before beginning installation. Check package content list and diagrams below to be sure all parts are present. If any parts are missing or damaged, do not attempt to assemble, install, or operate the fixture. Contact customer service for replacement parts.

⚠ Warnings and Cautions

Turn off electricity at circuit breaker or main fuse box before installation. Consult a licensed electrician if in doubt.

These instructions are provided for your safety. It is very important you read them completely before installing the fixture. We strongly recommend that a licensed, professional electrician perform the installation.

Disconnect fixture from power source before replacing bulbs. Make sure bulbs are given sufficient time to cool before removal. Do not subject glass parts to any shock while in operation or shattering may result.

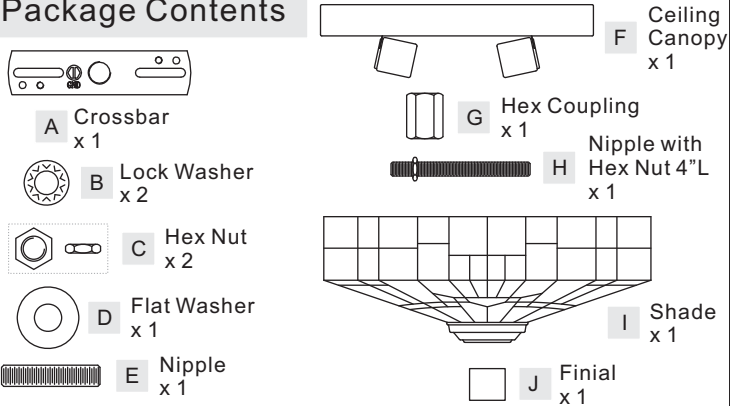
⚠ Care of Tiffany Style Shade

A new tiffany lamp shade has an oil film applied to the shade that protects the tiffany shade from scratches during shipment. If the oil applied is too heavy you can remove the excess oil film with a paper towel. Gently wipe away the excess oil.

For general cleaning of tiffany shades use a gentle lemon oil-based furniture polish applied to a soft cloth and wipe gently.

If a white powder appears on the soldered joints of the tiffany shade this is a normal oxidation process. Use a small amount of lemon oil or mineral oil applied directly to oxidized areas and the soldered area will return to like new.

Package Contents

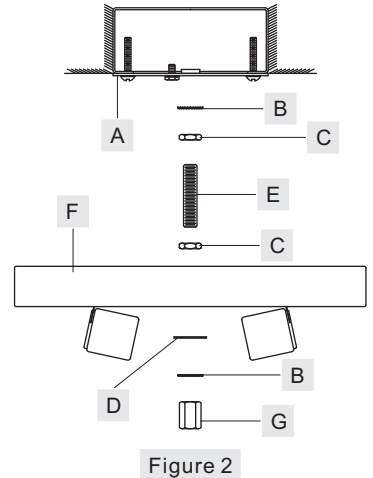


(Step 2 Continued)

to rest against the ceiling when held in place by Hex Coupling (G).
C. Remove Hex Coupling (G), one Lock Washer (B), Flat Washer (D) and Ceiling Canopy (F).

Tighten Hex Nut (C) against Crossbar (A) to secure in place.

D. Thread another Hex Nut (C) onto the end of Nipple (E) and adjust it just enough so that the inside surface of Ceiling Canopy (F) rests against it. You may have to trial fit Ceiling Canopy (F) one more times to insure this distance also. This Hex Nut (C) is needed here to prevent you from crushing down the center of Ceiling Canopy (F).



STEP 1 - Install Crossbar

A. Attach the Crossbar (A) to the Outlet Box with the head of the Green Ground Screw facing you. Secure it with Outlet Box Screws (not included). Tighten until snug.

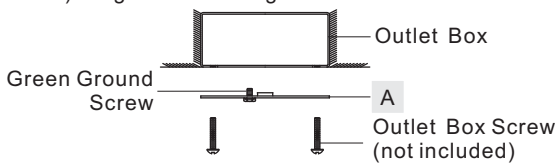


Figure 1

STEP 2 - Install Nipple and Hex Nuts

* Pliers are required for this step.

A. Thread one Hex Nut (C) to the middle of Nipple (E). Place one Lock Washer (B) over Nipple (E) and then thread Nipple (E) into Crossbar (A) until the Nipple (E) is about 0.375" above Crossbar (A).

B. Place Ceiling Canopy (F), Flat Washer (D) and another Lock Washer (B) over Nipple (E) against the ceiling to determine the correct position of Nipple (E). Adjust Nipple (E) to allow Ceiling Canopy (F)

STEP 3 - Wire Connections

A. Use standard wire connectors (not included) to make all wire connections. Twist connectors until wires are tightly joined together. Wrap each connection with approved electrical tape and carefully stuff all the connected wires into the Outlet Box.

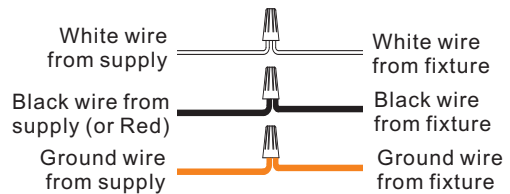


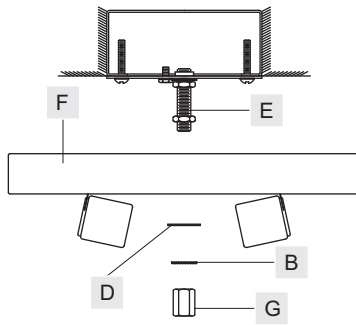
Figure 3

Thank you for purchasing a Quoizel product.
Need assistance with parts or assembly? Call Quoizel customer service at 1-800-645-3184
or visit us on-line at www.quoizel.com

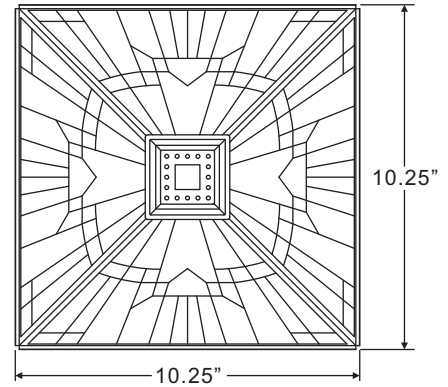
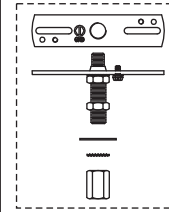
STEP 4 - Install Ceiling Canopy

A. Place Ceiling Canopy (F), Flat Washer (D) and another Lock Washer (B) over Nipple (E) and secure with Hex Coupling (G). Hand tighten until snug.

Figure 4



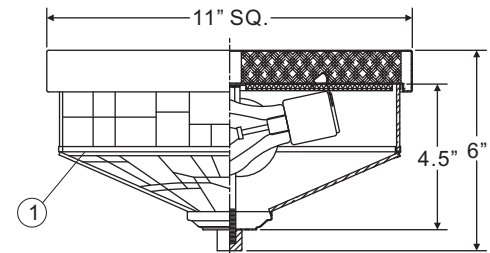
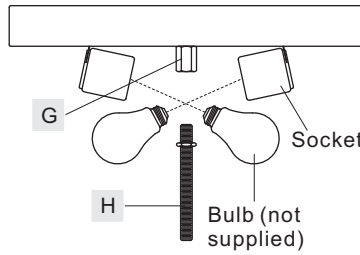
TFIK1611VA
FINISH: VALIANT BRONZE



STEP 5 - Install Bulb

A. Thread the Hex Nut end of Nipple with Hex Nut (H) into Hex Coupling (G). By using pliers, thread Hex Nut against Hex Coupling (G) and hand tighten until snug.
B. This fixture uses standard bulbs with medium screw base. Maximum 60 watts. Insert bulb and screw snugly into place.

Figure 5

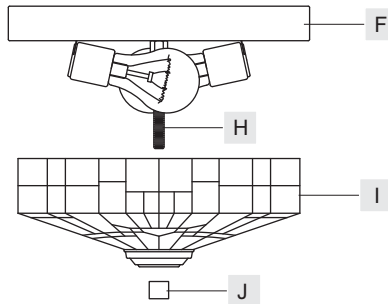


STEP 6 - Install Shade

A. Place Shade (I) over the end of Nipple with Hex Nut (H) and secure with Finial (J). Hand tighten until snug.

Your fixture is now assembled and ready to use. Enjoy!

Figure 6



(2) 60W Medium Base Bulbs (Not Supplied)

NOTE: ALL DIMENSIONS ARE ROUNDED UP TO THE NEAREST 1/4"

NO.	PART NUMBER	REPLACEMENT PART	QTY.
1	G12949SH	SHADE	1