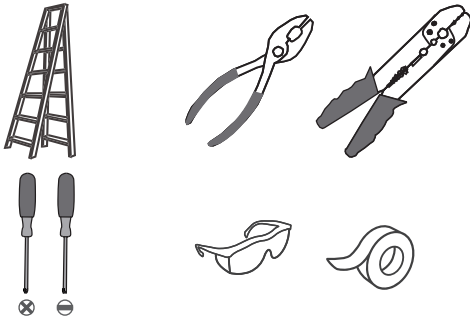
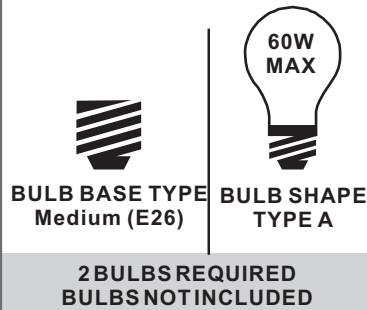


Tools Required



Light Source



Warnings and Cautions

Turn off the electricity at the circuit breaker before installation. Consult a licensed electrician if in doubt about installation.

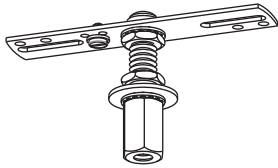
Turn off power to the fixture and allow the bulbs to cool before replacing.

Package Contents

Preparation: Identify and inspect all parts before beginning the installation.

Missing or damaged parts? Contact your original place of purchase.

PARTS BAG



A Crossbar Assembly x 1



B Outlet Box Screw x 2



C Wire Connector x 3



D Stem with Hex Nut x 1



E Screw x 8



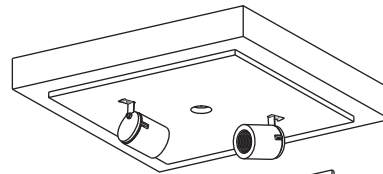
F Tab x 8



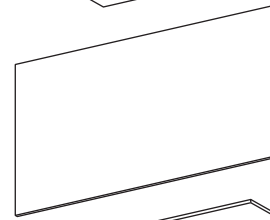
G Knurled Nut x 1



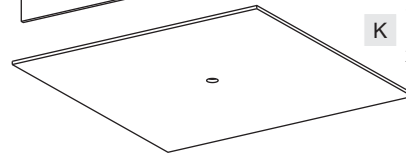
H Finial x 1



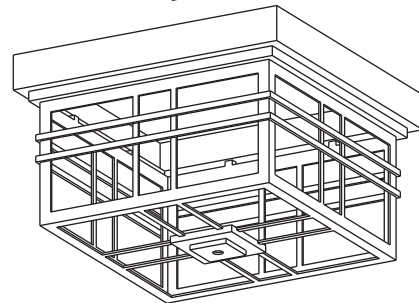
I Ceiling Canopy x 1



J Rectangle Glass Panel x 4



K Square Glass Panel x 1



L Cage x 1

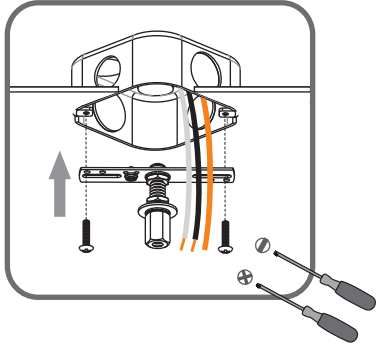
Table of Contents

Crossbar Assembly	Wiring	Ceiling Canopy	Stem with Hex Nut	Bulb	Glass Panels	Cage
STEP 1	STEP 2	STEP 3	STEP 4	STEP 5	STEP 6	STEP 7

STEP 1

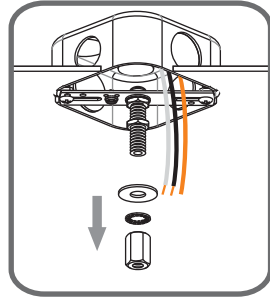
1

Step 1
Install crossbar assembly

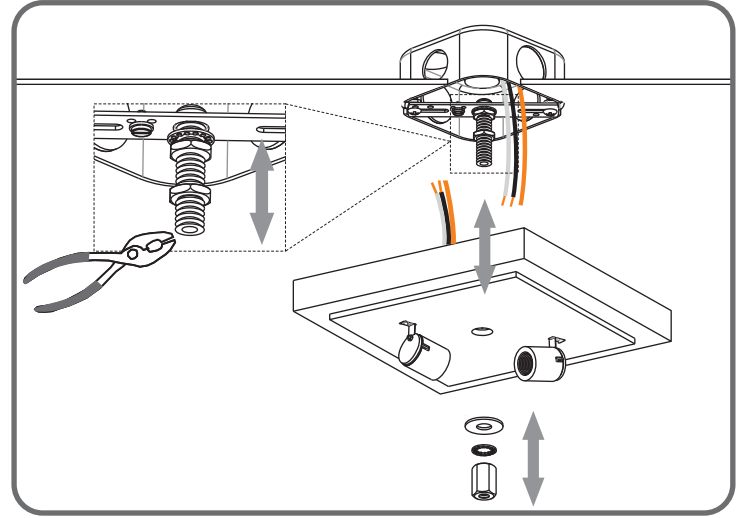


2

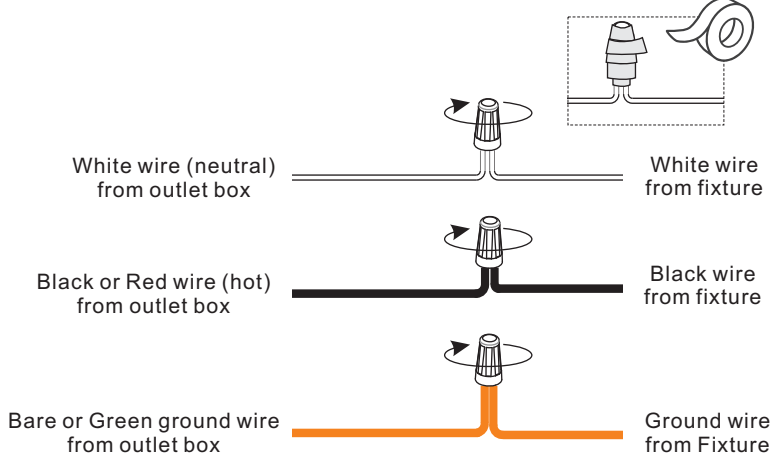
Step 2 - 3
Test fitting ceiling canopy to nipple



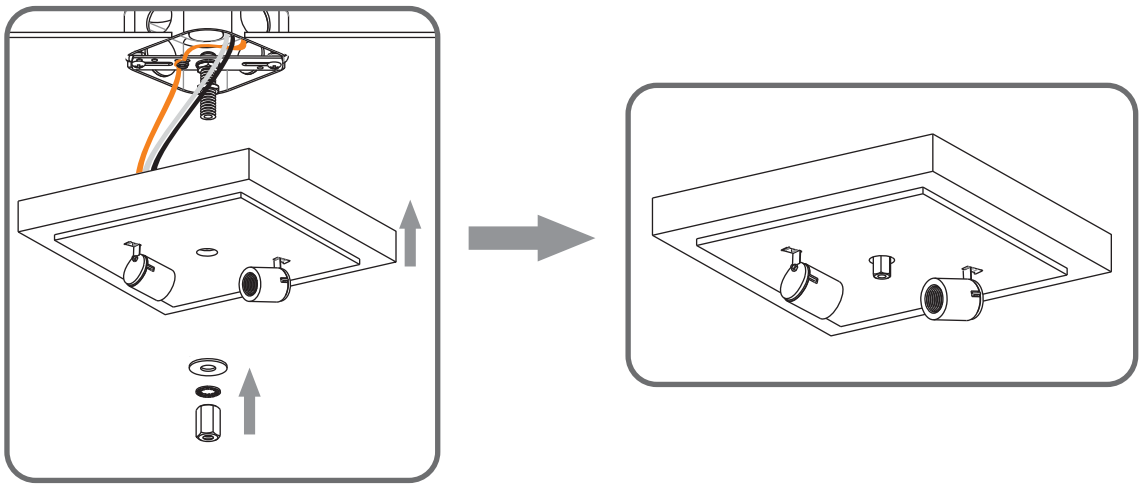
3



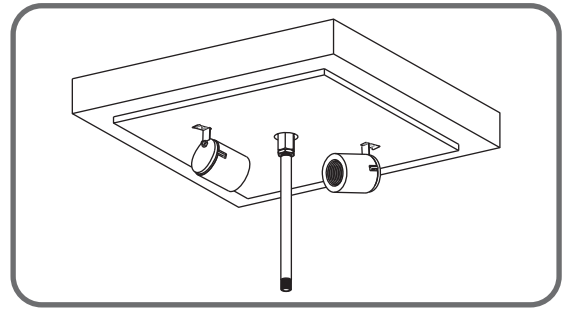
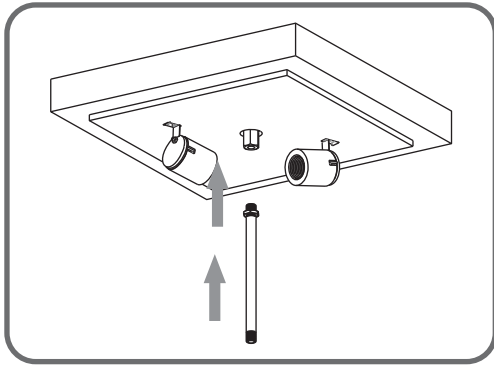
STEP 2



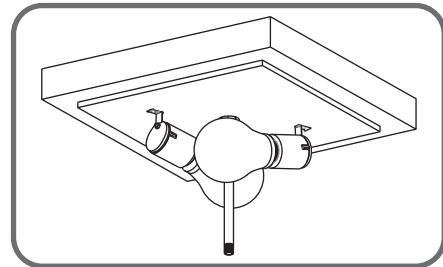
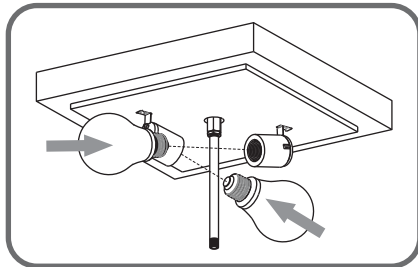
STEP 3



STEP 4



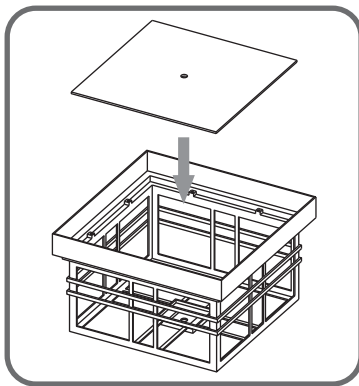
STEP 5



STEP 6

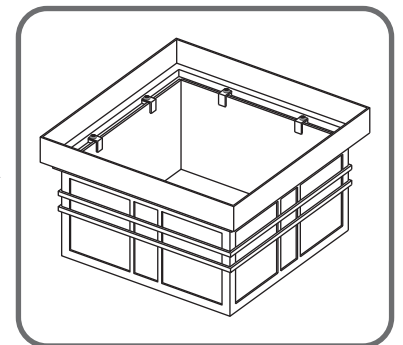
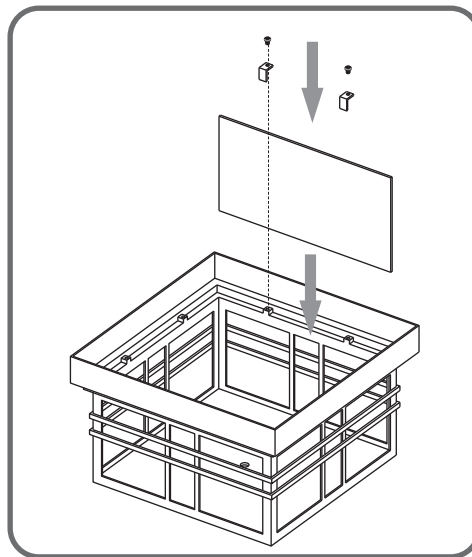
1

Install square glass panel



2

Install rectangle glass panel



STEP 7

